



BLUE GIANT EQUIPMENT CORPORATION

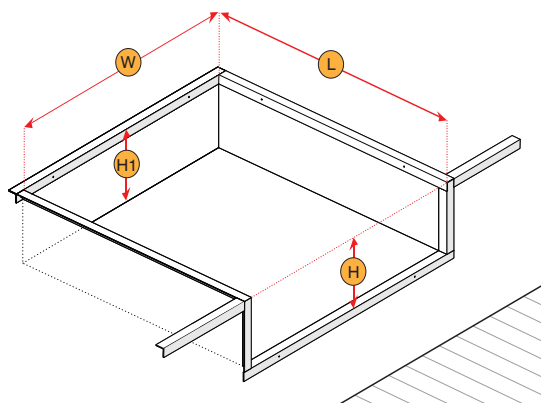
Next Gen Dock Leveler Selection Chart

NOMINAL MODEL SIZES		NEXT GEN		PLATFORM SIZE				PIT SPECIFICATIONS			
		Mechanical	Hydraulic	Deck Width		Total Length *		Pit Width (W)		Pit Length (L)	
ft	mm			in	mm	in	mm	in	mm	in	mm
6' x 6'	1,829 x 1,829	✓	✓	72	1,829	75.5	1,918	74	1,880	63	1,600
6' x 8'	1,829 x 2,438	✓	✓	72	1,829	99.5	2,527	74	1,880	87	2,210
6' x 10'	1,829 x 3,048	✓	✓	72	1,829	123.5	3,137	74	1,880	111	2,819
6'6" x 6'	1,981 x 1,829	✓	✓	78	1,981	75.5	1,918	80	2,032	63	1,600
6'6" x 8'	1,981 x 2,438	✓	✓	78	1,981	99.5	2,527	80	2,032	87	2,210
6'6" x 10'	1,981 x 3,048	✓	✓	78	1,981	123.5	3,137	80	2,032	111	2,819
7' x 6'	2,133 x 1,829	✓	✓	83	2,108	75.5	1,918	85	2,159	63	1,600
7' x 8'	2,133 x 2,438	✓	✓	83	2,108	99.5	2,527	85	2,159	87	2,210
7' x 10'	2,133 x 3,048	✓	✓	83	2,108	123.5	3,137	85	2,159	111	2,819

PIT DIMENSIONS		STANDARD FRAME DEPTH				STANDARD PIT DEPTH			
		Front		Rear		Front (H)		Rear (H1)	
Pit to Deck Width	W (pit) = W(deck) + 2" (51 mm)	in	mm	in	mm	in	mm	in	mm
Pit to Deck Length	L (pit) = L (deck)*	19.5	495	19	483	20	508	19.5	495

* Deck length includes standard 16" (406 mm) lip

Allow 1/2" (12 mm) slope for water drainage



MODEL / SERIAL / ELECTRIC / WPL / FWD	HEAVY	SUPER	EXTREME	ULTRA
TOTAL CHARGE	12.5	19.0	26.0	33.0
TOTAL LOAD	12,500	19,000	26,000	33,000
TOTAL CHARGE	5,700	8,700	11,800	15,000
TOTAL LOAD	5,700	8,700	11,800	15,000
TOTAL CHARGE	11,800	15,000	18,200	
TOTAL LOAD	11,800	15,000	18,200	

LOAD CLASS	TOTAL LOAD		NEXT GEN	
	lb	kg	Mechanical	Hydraulic
Workhorse	12,500	5,700	✓	✓
Heavy	19,000	8,700	✓	✓
Super	26,000	11,800	✓	✓
Extreme	33,000	15,000	✓	✓
Ultra	40,000	18,200	✓	✓
8 FTL				

DETERMINE YOUR OPTIMAL LOADING DOCK SOLUTION WITH 5 DIFFERENT LOAD CLASS MODELS.