

BG2-72

The BG2 combines the advantages of a counterbalanced forklift with exceptional maneuverability. The result is a versatile task support vehicle that performs a broad range of material handling functions.

CAPACITY

- 1,500 lb (680 kg) at 24" LC on forks
- 300 lb (136 kg) operators compartment
- 200 lb (91 kg) rear work platform

BATTERY INFORMATION

- Minimum battery weight: 700 lb (318 kg)
- Compartment dimensions: 32" x 11" x Open
- Connector: Anderson 175 Grey – A-11

MAXIMUM LIFT HEIGHT

- 48" operator platform, 72" forks

MAXIMUM SPEED

- **TRAVEL:** Variable from 0 mph to 4.5 mph
- **LIFT:** Up to 42 fpm

WEIGHT

- 2,874 lb (1,304 kg)

TIRES / WHEELS

- **DRIVE:** (1) 9" x 3" polyurethane
- **STABILITY:** (2) 3" x 2" polyurethane
- **LOAD WHEELS:** (2) 8" x 3" polyurethane

ELECTRICAL

- Dual 24-volt ZAPI ACO travel and power steering controllers
- LCD dashboard displays hour meter, battery state, travel speed, and travel direction indicator
- AC drive motor
- Low-maintenance brushless design
- Selectable travel speed settings

BRAKES

- Regenerative braking when coasting and plug braking
- Electromagnetic parking brake

OPERATION / CONTROLS

- Ergonomic fingertip control for travel, lift, and lower functions
- Roomy operator compartment with ergonomic floormat, forward and backrest cushion



- Retractable compartment guard rails keep the operator secure
- On/off key switch and horn

MAST

- Heavy-duty I-beam design
- Steel mast channels and side mounted lift cylinders

CHASSIS

- Three-point chassis design
- 180° drive motor steering arc
- Powerhead mounted stability casters mounted on powerhead

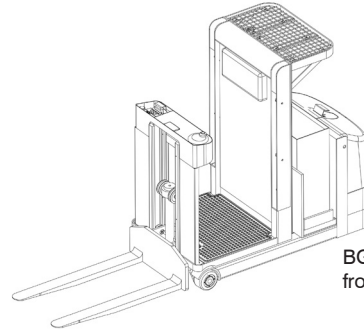
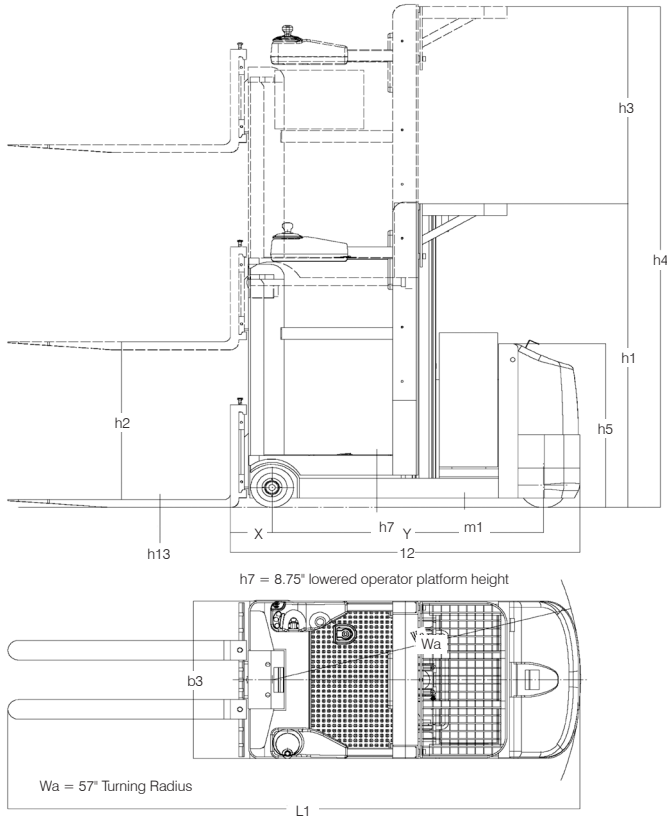
STANDARD EQUIPMENT

- Non-marking tires
- Rear flashing light
- Battery compartment rollers
- Mini mast with 36" forks

OPTIONAL EQUIPMENT

- 12-volt accessory power supply
- 24-volt industrial battery
- 24-volt external charger
- Forward controls
- 224 AH maintenance free battery pack with 110V plug-in charger

BG2 DIMENSIONS



BG2 -72 shown with optional front operator controls

OPERATOR CONTROLS



Left Hand
360° Tiller Steering



Right Hand
Travel, Lift, Lower, Key Switch and Controls

Model#	Mast	Lift Height		Col Height		Extended Height		Overall Width		Overall Length		Weight (Chassis Only*)	
		h2 + h3	h1	h4	h4	b3 / b1	L1						
BG2-72	Single Stage	72"	1,829mm	62.0"	1,575mm	102"	2,591mm	31.5	800mm	99.5"	2,527mm	2,874 lb	1,029 kg

*Estimated shipping weight without battery.

