

PARTS LIST

STRONGARM™ HVR303 VEHICLE RESTRAINT



ACTUAL PRODUCT MAY NOT APPEAR EXACTLY AS SHOWN

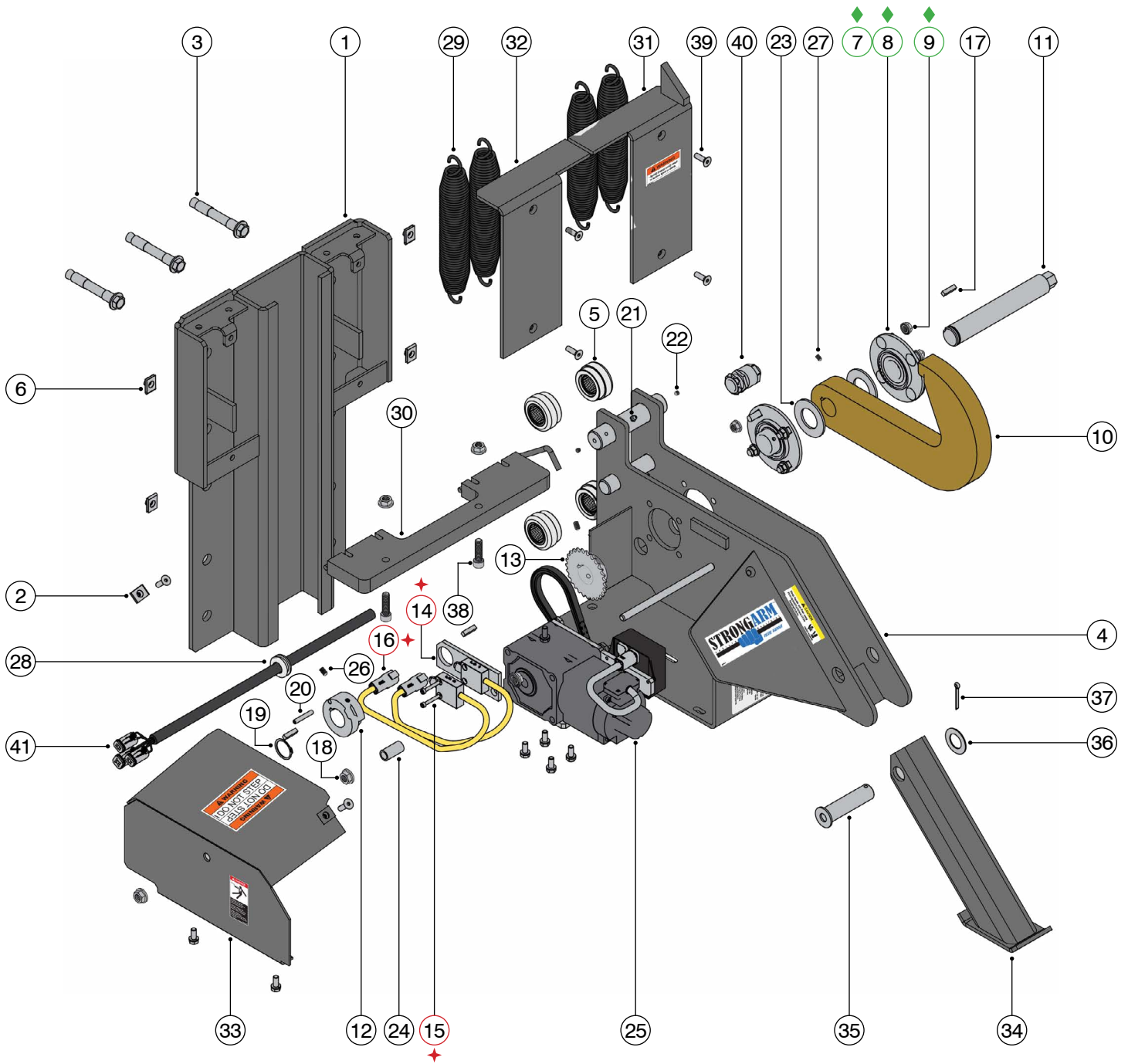


WARNING

Do not operate or service this product unless you have read and fully understand the entire contents of this manual. Failure to do so may result in property damage, bodily injury or death.

BLUE GIANT®

MECHANICAL ASSEMBLY - 56-010200 / 56-010200-ZP



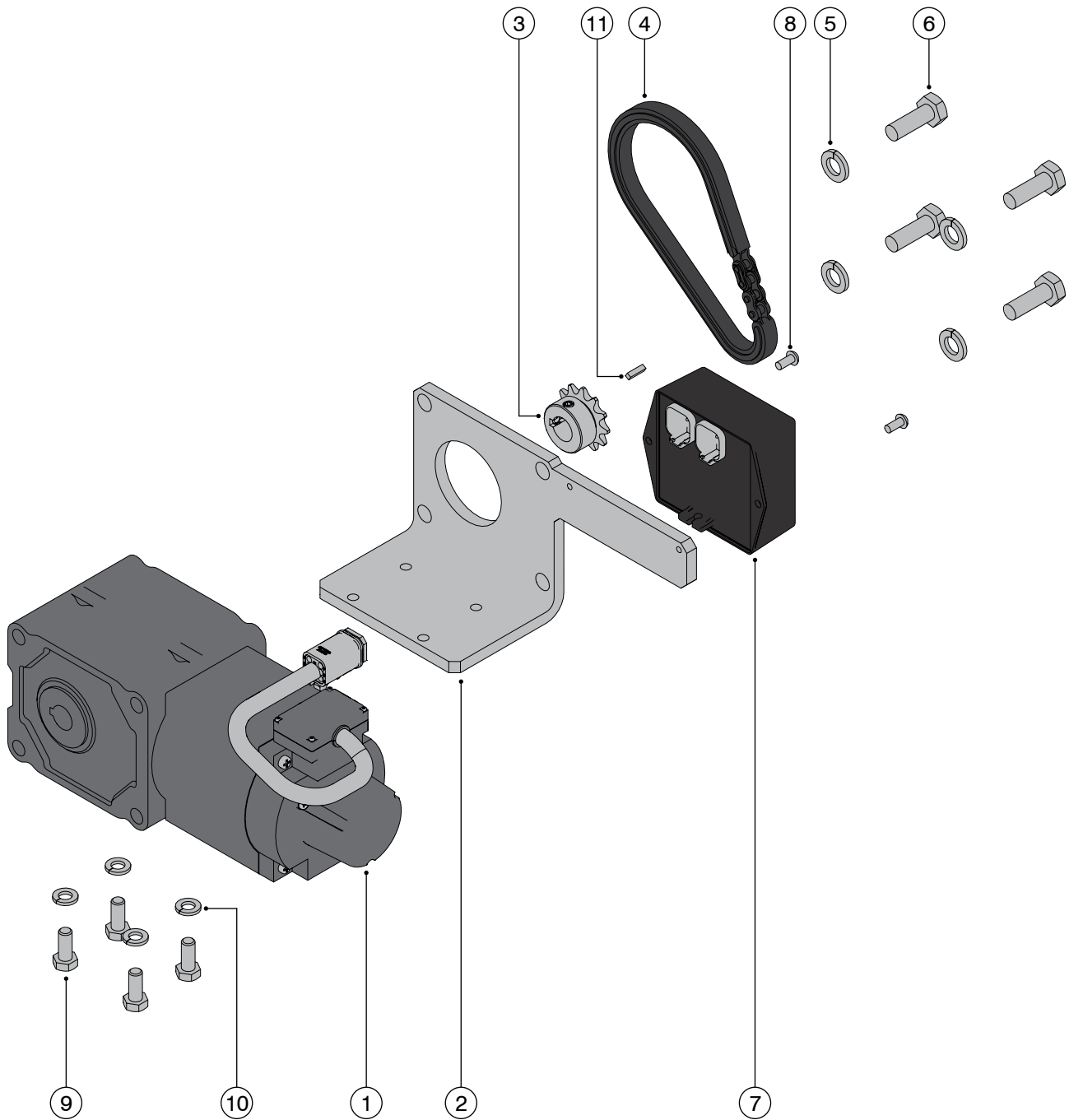
NOTE	PART NO.	DESCRIPTION
◆	56-010332	Bearing assembly includes parts highlighted
★	56-010390	Limit switch assembly includes parts highlighted

MECHANICAL ASSEMBLY - 56-010200 / 56-010200-ZP CONT'D.

ITEM	QTY.	PART NO.	DESCRIPTION	
1	1	56-010198	Roller Track Weld	
		56-010198-ZP	Roller Track Weld, Zinc Plated	
2	1	011-864	Cage Nut 5/16 UNC	
3	15	010-239	Self-Tapping Anchor	
4	1	56-010196	Carriage Weld	
		56-010196-ZP	Carriage Weld, Zinc Plated	
5	4	019-034	Roller Assembly	
6	4	011-864	Cage Nut 5/16 UNC	
◆	7	4	018-646	Arm Bearing
◆	8	8	014-084	Carriage Bolt - 3/8 x 1 - GR5 - Zinc PL
◆	9	8	011-865	Serrated-Flange Hex. Nut 3/8"-16
10	1	56-011216	Hook Arm Weld	
11	1	56-010140	Hook Shaft	
12	1	56-010237	Shaft Cam	
13	1	023-048	Chain Sprocket - ANSI #35B27 x BORE 1 1/4	
+	14	1	56-010175	Limit Switch Bracket
+	15	2	011-094	SHCS 10-32 x 1 1/2"
+	16	2	026-H19	Limit Switch C/W Connector
17	3	118-755	Key 1/4" Sq x 1" LG	
18	5	011-863	Serrated-Flange Hex. Nut 7/16"-14	

19	1	013-036	External Retaining Ring - ID 1.25
20	1	013-625	Spring Pin 1/4" x 1 1/2" Long
21	2	019-500	Nipple Straight Grease 1/4"
ITEM	QTY.	PART NO.	DESCRIPTION
22	4	014-013	Set Screw 1/4-28UNF x 1/4
23	2	012-326	Flat Washer Type A - 1 3/8ID x 1/8THK
24	1	56-010238	Limit Switch Tube
25	1	1005462	Gearmotor Assembly - See pg. 4
26	2	014-004	Setscrew, Socket - HD 5/16 x 1/2 UNC
27	1	014-002	Set Screw - 1/4"x 3/8" UNC.
28	1	037-053	Push-In Grommet - ID 3/4 x OD 1 1/16 x 1/4
29	4	56-010295-01	Extension Spring OD 1.875 x 10.75 Long
30	1	56-010193	Springs Bar Weld
		56-010193-ZP	Springs Bar Weld, Zinc Plated
31	1	56-010306	L Spring Cover Weld
		56-010306-ZP	L Spring Cover Weld, Zinc Plated
32	1	56-010304	R Spring Cover
		56-010304-ZP	R Spring Cover, Zinc Plated
33	1	56-010387	Motor Cover Assembly
		56-010387-ZP	Motor Cover Assembly, Zinc Plated
34	1	56-010319	Extension Arm Weld
		56-010319-ZP	Extension Arm Weld, Zinc Plated
35	1	56-010569	Extension Pin - Weld
36	1	106-389	Spacer Washer
37	1	013-025	Cotter Pin 3/16" x 1.5"
38	2	010-232	Socket Cap Screw 7/16" - 14 x 1 1/2" L
39	5	011-042	Cap Screw, Hex Socket F/H 5/16 - 18 x 1"
40	1	025-023	Fitting SR-75-625
41	1	026-H18	Harness Cable - Assy

GEARMOTOR ASSEMBLY - 1005462

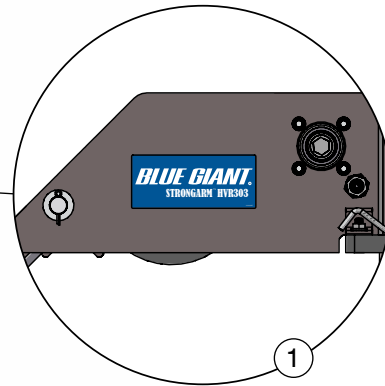
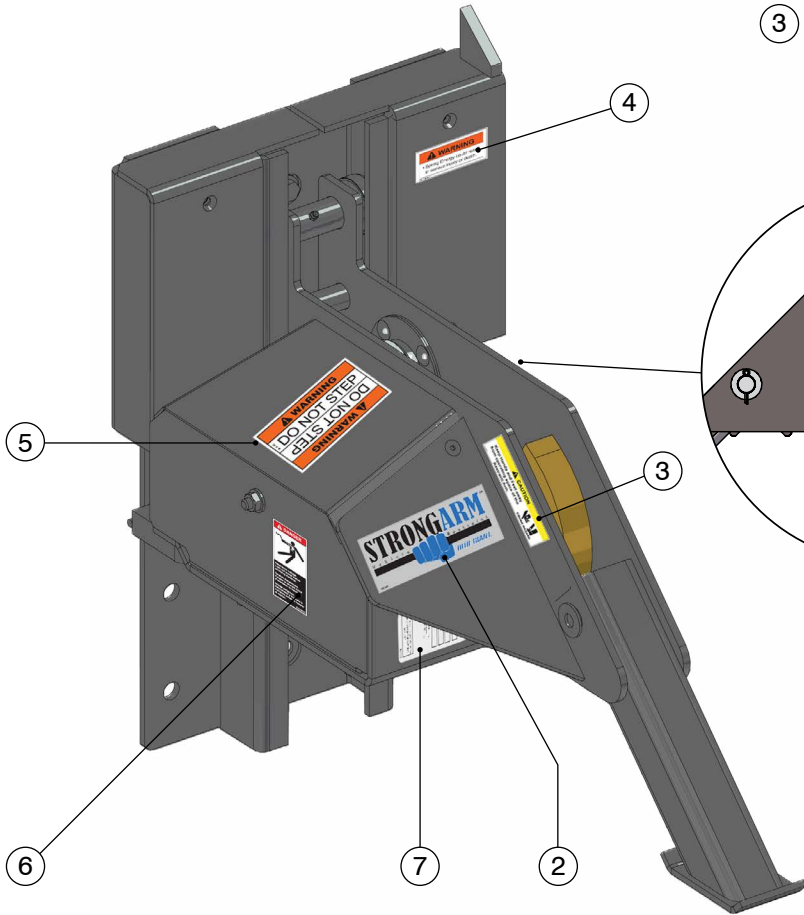


GEARMOTOR ASSEMBLY - 1005462

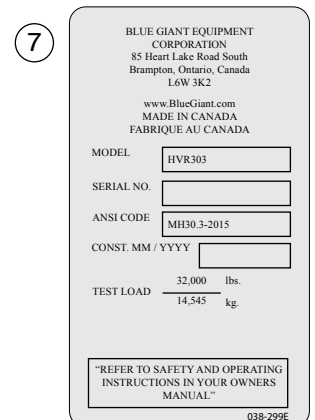
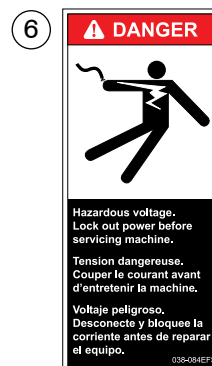
ITEM	QTY.	PART NO.	DESCRIPTION
1	1	1005476	Gearmotor with Cable and Connector
2	1	2000487	Gearmotor Bracket
3	1	023-049	Chain Sprocket
4	1	1005470	Roller Chain
5	4	012-228	Lockwasher Spring 7/16"
6	4	010-170	Hex Head Cap Screw M10x20 - GR 8.8

ITEM	QTY.	PART NO.	DESCRIPTION
7	1	026-G061-A	Gearmotor Controller Assembly
8	2	011-010	Machine Screw 10-24 x 3/8"
9	4	010-037	Hex Head Cap Screw 5/16-18 UNC x 3/4" L
10	4	012-200	Lockwasher Spring 5/16"
11	1	118-755	Key 1/4" Sq x 1" LG

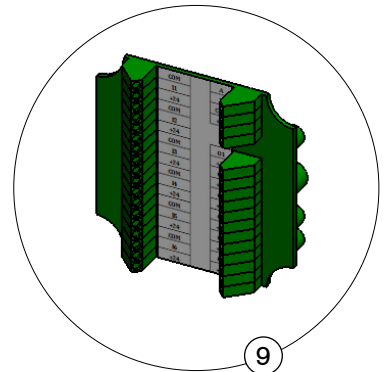
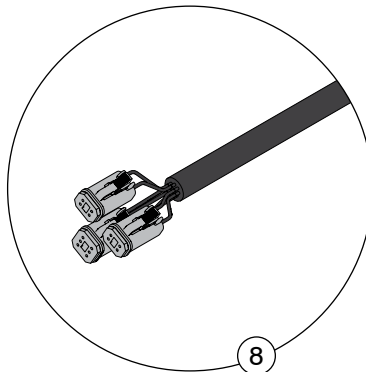
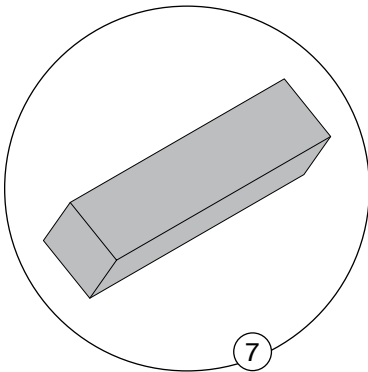
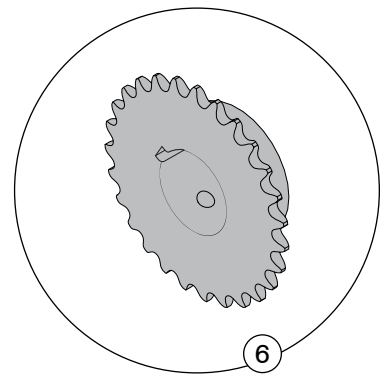
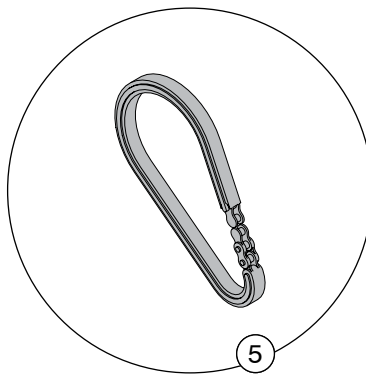
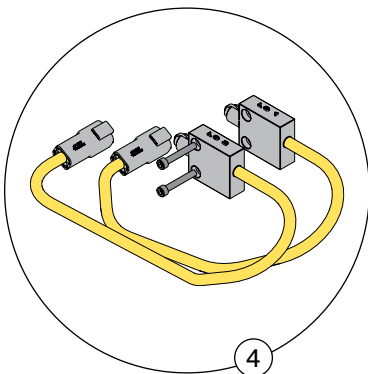
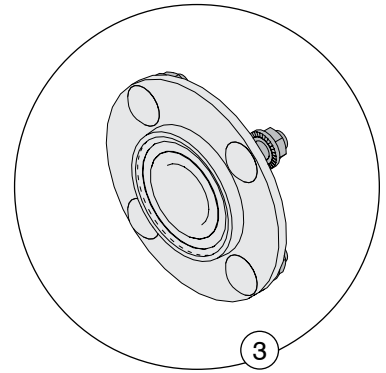
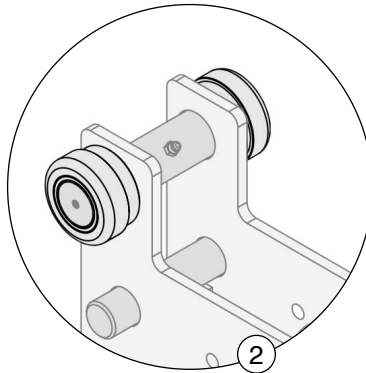
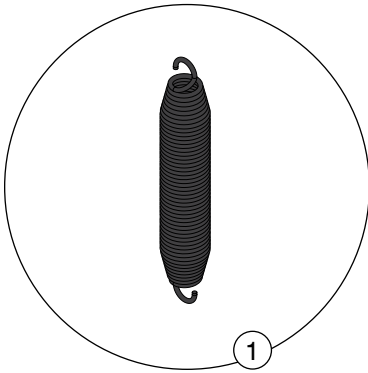
DECAL IDENTIFICATION AND LOCATION



ITEM	QTY	PART NO.	DESCRIPTION		
1	1	038-846E	Decal - BG HVR303		
2	1	038-1187E	Decal - StrongArm - Vehicle Restraint		
3	1	038-243	<table border="1"> <tr><td>E</td></tr> <tr><td>F</td></tr> </table> Decal - Crush Hazard	E	F
E					
F					
4	1	038-048-2	Warning Decal - Springs Energy		
5	1	038-845	<table border="1"> <tr><td>E</td></tr> <tr><td>F</td></tr> </table> Warning Decal - Do Not Step	E	F
E					
F					
6	1	038-084EFS	Warning Decal - Hazardous Voltage		
7	1	038-299E	<table border="1"> <tr><td>F</td></tr> <tr><td>S</td></tr> </table> Decal - Serial Plate	F	S
F					
S					



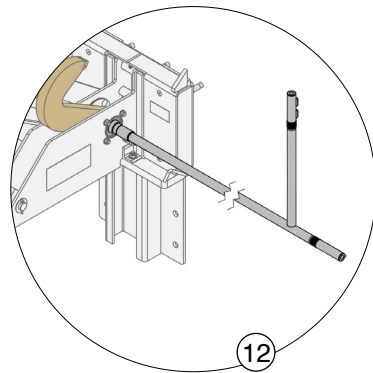
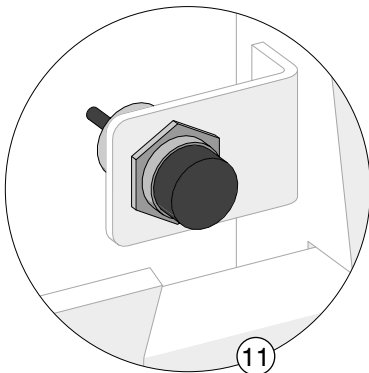
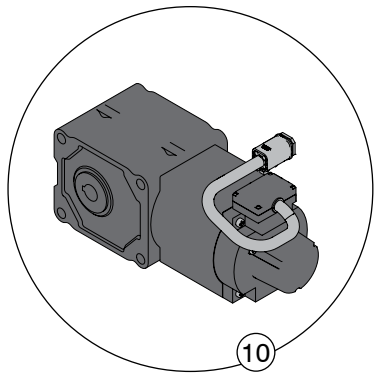
10.0 RECOMMENDED SPARE PARTS - STANDARD OPERATIONAL COMPONENTS



STANDARD OPERATIONAL COMPONENTS			
ITEM	PART NO.	DESCRIPTION	QTY REQ'D
1	56-010295-01	Extension Spring	4
2	019-034	Carriage Roller Housing with Bearing	4
3	56-010332	Y Bearing Assembly with Hardware	2
4	026-H19	Limit Switch with Connector	2
5	1005470	Roller Chain Assembly	1

STANDARD OPERATIONAL COMPONENTS			
ITEM	PART NO.	DESCRIPTION	QTY REQ'D
6	023-048	Chain Sprocket	1
7	118-755	Key 1/4 Square	3
8	026-H18	Harness with Cable and Connectors	1
9	026-G025M	Remote I/O Board (Resistor)	1

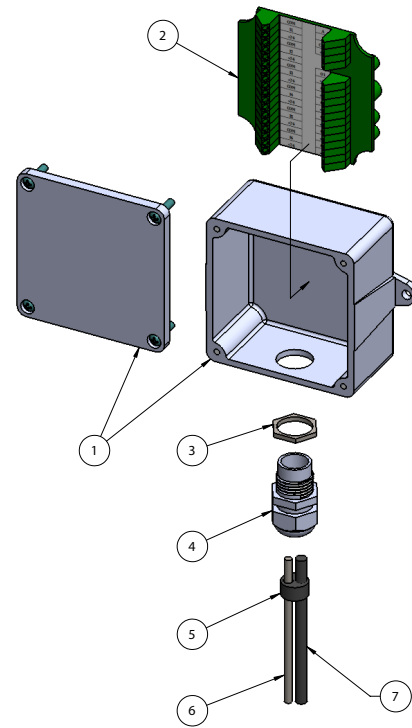
RECOMMENDED SPARE PARTS - OPTIONAL SUPPORT COMPONENTS



OPTIONAL SUPPORT COMPONENTS			
ITEM	PART NO.	DESCRIPTION	QTY REQ'D
10	1005476	Gear Motor Assembly with Cable and Connector	1
11	026-G019	Proximity Sensor (30mm Unshielded) Home/Lip Sensor	1
	026-M12-F5	5 Meter Cable for Proximity Sensor	1
	026-M12-F2	2 Meter Cable for Proximity Sensor	1
	21-002154	Mounting Bracket for Proximity Sensor	1
12	56-011930	Lock Manual Release Tool	1

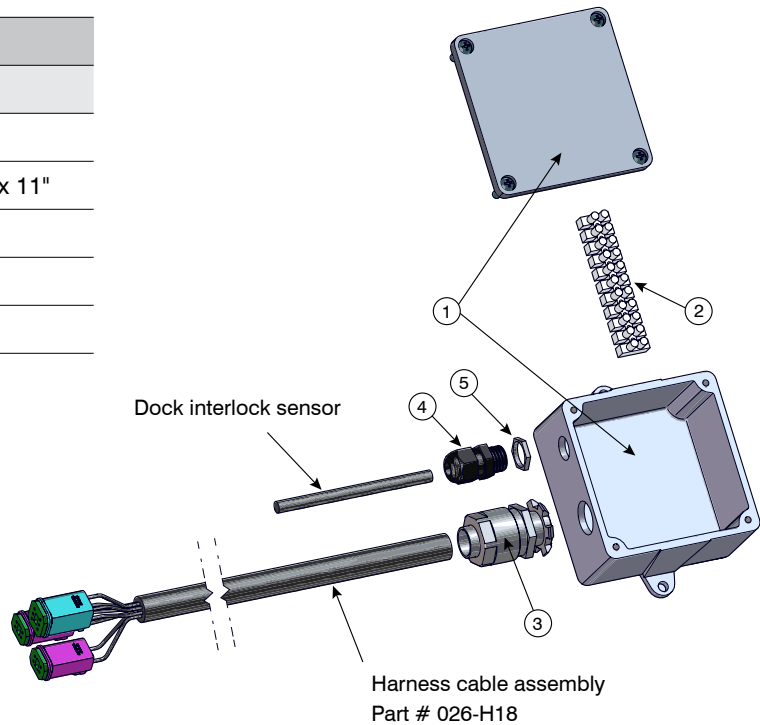
JUNCTION BOX W/REMOTE I/O

JUNCTION BOX ASSEMBLY PART # 51-010950			
ITEM	QTY	PART NO.	DESCRIPTION
1	1	025-G020-R	Junction Box 4" x 4"
2	1	026-G025M	Remote I/O Board (Resistor)
3	1	025-177	PG16 Metal Locknut
4	1	025-174	PG16 Cable Gland
5	1	025-179	PG16 Multi-Hole Seal
6	1	026-G031-C	Communication Cable Shielded - 15' (4.6 m)
7	1	026-6034-3600-1	7-Wire Cable (From Junction Box Assembly)



JUNCTION BOX ASSEMBLY

JUNCTION BOX ASSEMBLY PART # 56-010968			
ITEM	QTY	PART NO.	DESCRIPTION
1	1	025-G020-P	Junction Box 4" x 4"
2	1	025-172	Terminal Blocks 0.32" x 11"
3	1	025-016	Fitting SR-50-625 3/4"
4	1	025-173	PG9 Cable Gland
5	1	025-176	PG9 Metal Locknut



BLUE GIANT[®]
BLUE GIANT EQUIPMENT CORPORATION

Corporate 410 Admiral Blvd.
Mississauga, ON, Canada L5T 2N6
t 905.457.3900 f 905.457.2313

USA 6350 Burnt Poplar Road
Greensboro, NC 27409
www.bluegiant.com