

PARTS LIST

STRONGARM™ SVR303 VEHICLE RESTRAINT

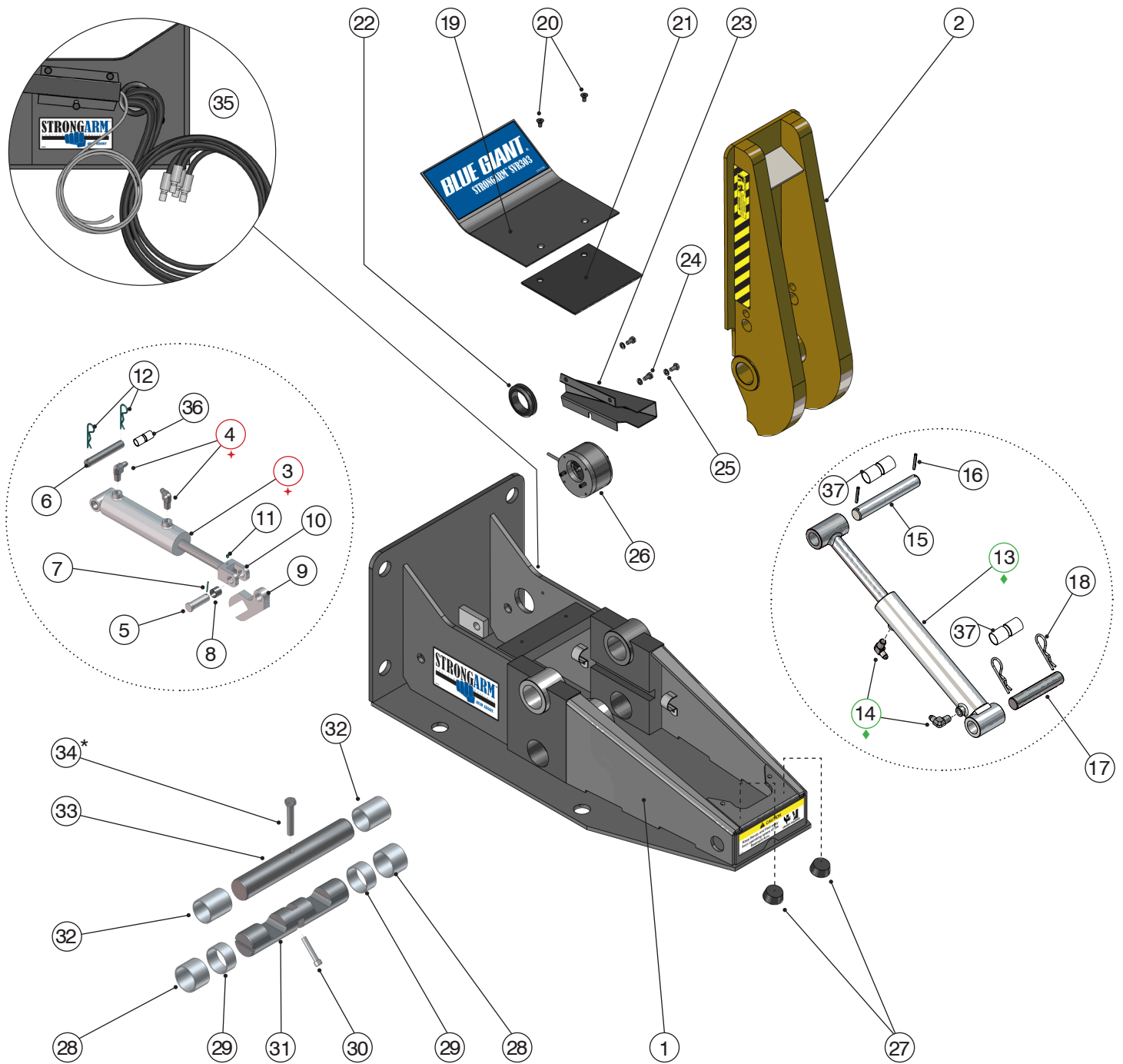


WARNING

Do not install, operate or service this product unless you have read and fully understand the entire contents of this manual. Failure to do so may result in property damage, bodily injury or death.

BLUE GIANT®

MECHANICAL ASSEMBLY - 54-010980 AND 54-010980-ZP



NOTE	PART NO.	DESCRIPTION
★	54-00004	Lock cylinder assembly includes parts highlighted
◆	54-001799	Arm cylinder assembly includes parts highlighted

MECHANICAL ASSEMBLY - 54-010980 AND 54-010980-ZP CONT'D.

ITEM	QTY.	PART NO.	DESCRIPTION
1	1	54-010979	Chassis Weldment
		54-010979-ZP	Chassis Weldment, Zinc Plated
2	1	54-011050	Arm Weldment
3	1	54-00004	Lock Cylinder (Part No. 54-00007-K)
4	2		Fitting (Part No. 034-619)
5	1	54-00022	Rod End Pin
6	1	54-000513	Lock Clevis Pin
7	1	013-020	Spring Pin 1/8 Dia. x 1"
8	1	018-638-1	Plastic Bushing 5/8" x 5/8" L
9	1	54-00043	Lug
10	1	54-00008	Clevis
11	1	014-013	Allen Set Screw 1/4 x 28 UNF
12	2	013-028	Hairpin Cotter
13	1	54-001799	Arm Cylinder (Part No. 54-001273-K)
14	2		Fitting (Part No. 034-619)
15	1	54-00021	Arm Rod End Pin
16	2	013-127	3/16 Dia. Spring Pin x 1.50
17	1	54-000506	Arm Clevis Pin
18	2	013-029	Hairpin Cotter
19	1	54-010983	Body Cover
		54-010983-ZP	Body Cover , Zinc Plated
20	2	011-037	FHSCS

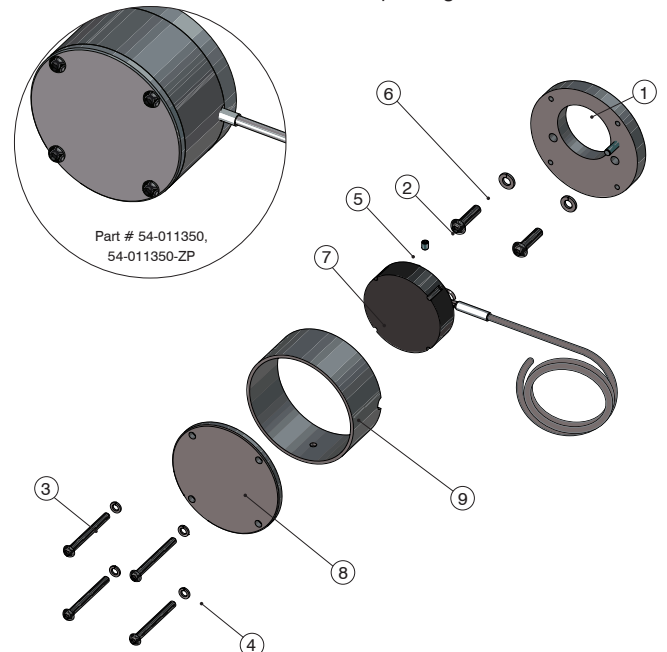
ITEM	QTY	PART NO.	DESCRIPTION
21	1	54-001608	Rubber Seal
22	1	037-090	Rubber Grommet
23	1	54-001600	Cable Cover
		54-001600-ZP	Cable Cover, Zinc Plated
24	3	010-072	Cap Screw 1/4-20 x 1/2 HH
25	3	012-202	Regular Spring Lock Washers (U.S.)
26	1	54-011350	Sensor Hub Assembly (See Section 12.4)
		54-011350-ZP	Sensor Hub Assembly (See Section 12.4), Zinc Plated
27	2	165-9197	Rubber Bumper
28	2	018-635-1	Plastic Bushing 2" Dia. x 1-1/2" L
29	2	018-634-1	Plastic Bushing 2" Dia. x 1" L
30	1	011-184	Socket Head Cap Screw 3/8 x 24UNF x 2
31	1	54-000534	Lock Pin
32	2	018-636-1	Plastic Bushing 1-3/4" Dia. x 2" L
33	1	54-006851-1	Arm Pivot Pin
34'	1	010-211	Hex Head Cap Bolt 1/2 -13 UNC x 2 3/4
35	Not in this assembly. These items are sold separately.		
	Hose #4 High Pressure (TYP. STD. Length may change per application requirement, default application lengths shown below)		
	2	100-5022-3	21' (6.4m) Lock
	2	100-5022-4	23' (7.0m) Arm
	2	100-5022-1	15' (4.6m) Lock
	2	100-5022-2	17' (5.2m) Arm
36	2	54-00007	IGUS BUSHING GSI-1011-16
37	4	54-001273	IGUS BUSHING GSI-1618-20

RESTRAINT ARM SENSOR ASSEMBLY –54-011350

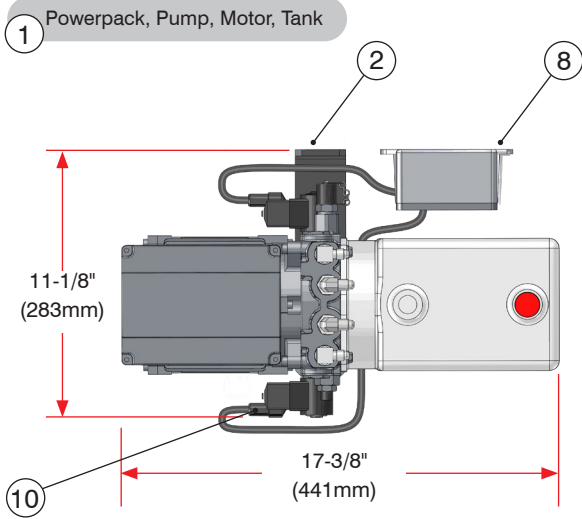
SENSOR ASSEMBLY # 54-011350 / 54-011350-ZP

ITEM	QTY	PART NO.	DESCRIPTION
1	1	54-006834-1	Base Plate Assembly
		54-006834-1-ZP	Base Plate Assembly, Zinc Plate
2	2	010-224	Button HD Cap Screw 1/4-20 x 1"
3	4	010-223	Button HD Cap Screw 10-24 x 2" SS
4	4	012-225	Internal Tooth Lock Washer #10
5	1	014-000	Cup Point SSS #10-24 UNC x 1/4 (U.S.)
6	2	012-202	Spring Lock Washer 1/4"
7	1	54-001563	Intelligent Position Sensor (IPS) with Comm Cable
8	1	54-011049	Hub Lid
		54-011049-ZP	Hub Lid, Zinc Plated
9	1	54-011226	Hub Ring
		54-011226-ZP	Hub Ring, Zinc Plated

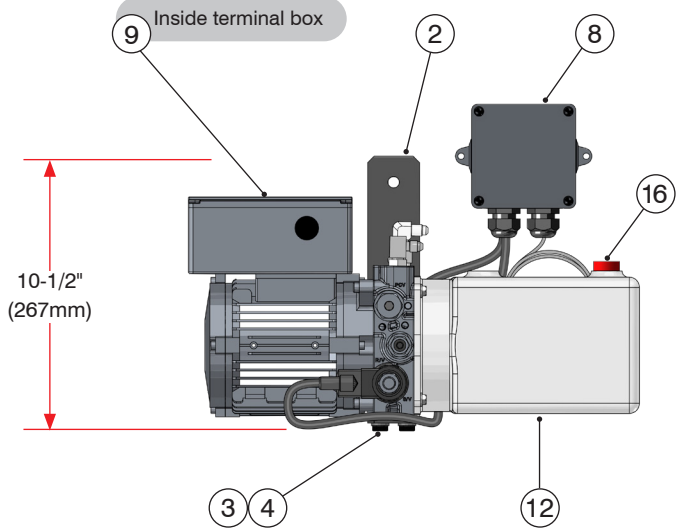
*Arm cap bolt 010-211 to be installed from the top, ensuring the head of the bolt does not interfere with lock clevis when operating unit.



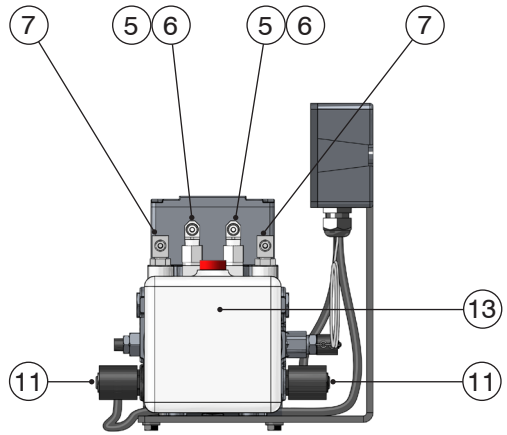
POWERPACK PART IDENTIFICATION



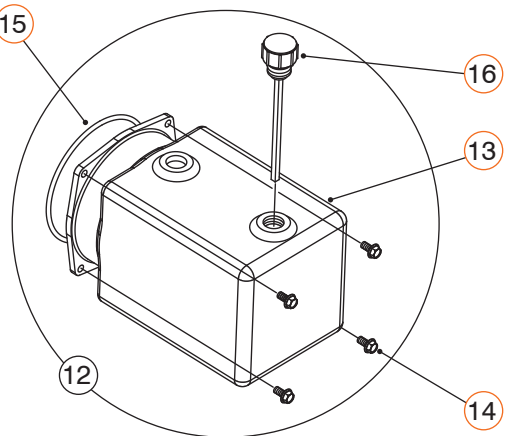
Top View – Wall Mount



Front View – Wall Mount



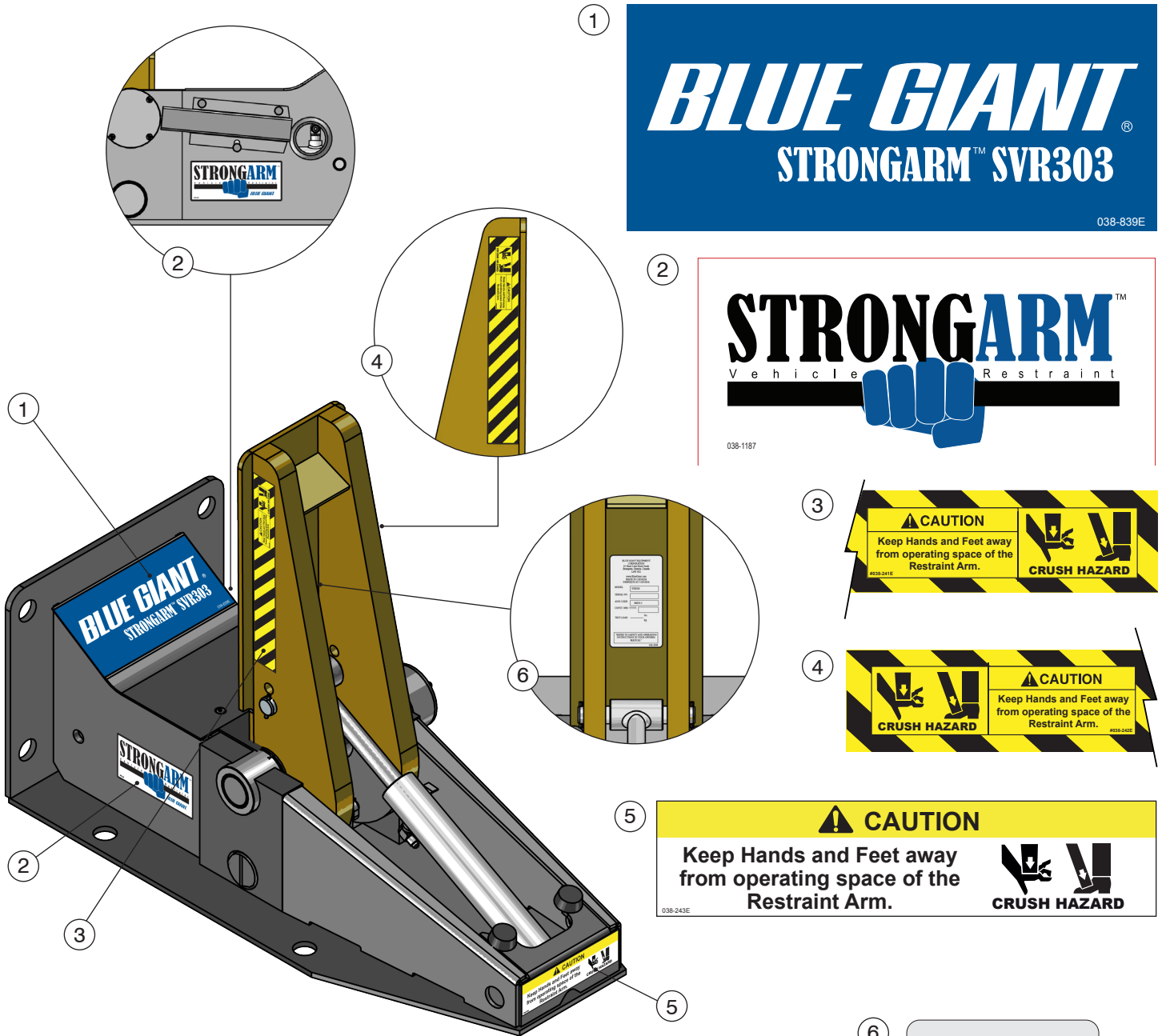
Side View (Tank End) – Wall Mount



Powerpack Tank Kit

SVR303 POWERPACK - WALL BRACKET ASSEMBLY # 54-011700				
ITEM	QTY	PART NO.	DESCRIPTION	ITEM #1
1	1	54-011700-1	SVR303 PP 1PH-115/230V-50/60HZ	033-441-K
		54-011700-2	SVR303 PP 3PH-230/460V-50/60HZ	033-445-K
		54-011700-3	SVR303 PP 3PH-575V-60HZ	033-447-K
2	1	54-011699	Wall Bracket - SVR303 Powerpack	
3	4	010-188	Hex Head Socket 1/2 NPT Cap Screws (Metric)	
4	4	012-201	Lock Washers 3/8" Helical	
5	2	034-580	3/8 Male O-Ring to Female Pipe	
6	2	034-619	Fitting (4MJ - 4MP - 90)	
7	2	034-769	Fitting (6MB - 4MJ - 90)	
8	1	026-H24	Junction Box Assembly (See pg. 8)	
9	1	025-172	Terminal Blocks 0.32" x 11	
10	2	026-G074	Solenoid Valve Connector with Cable	
11	2	54-012251	Solenoid Cartridge and Coil	
12	1	54-012250	Tank (Reservoir Oil) Kit w/ "O" Ring (NOTE: Hardware includes parts highlighted f)	
f	13	1	412014	Tank
f	14	4	400740	Tank Bolt
f	15	1	401009	"O" Ring for Tank
f	16	1	401504	Breather Cap with Dipstick

DECAL IDENTIFICATION AND LOCATION



ITEM	QTY	PART NO.	DESCRIPTION
1	1	038-239	Decal - BG SVR303
2	2	038-1187E	Decal - StrongArm™ - Vehicle Restraint
3	1	038-241E	Decal - Crush Hazard - Left Side
4	1	038-242E	Decal - Crush Hazard - Right Side
5	1	038-243E	Decal - Crush Hazard
6	1	038-299E	F Decal - Serial Plate - English / French
			S Decal - Serial Plate - English / Spanish

6

BLUE GIANT EQUIPMENT CORPORATION
85 Heart Lake Road South
Brampton, Ontario, Canada
L6W 3K2

www.BlueGiant.com
MADE IN CANADA
FABRIQUE AU CANADA

MODEL / NO. DE MODELE: SVR303

SERIAL NO. / NO. DE SERIE: _____

ANSI CODE: MH30.3

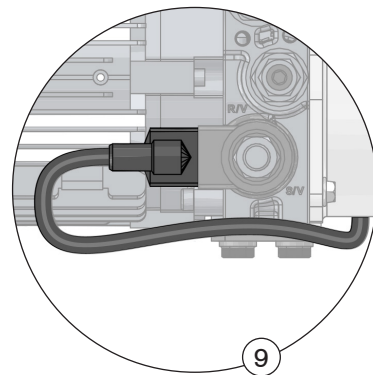
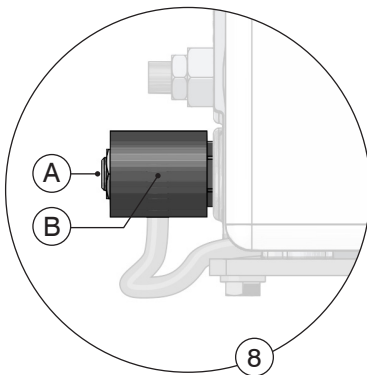
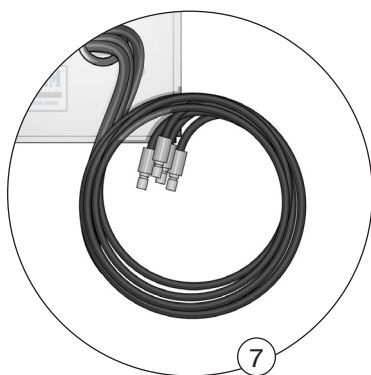
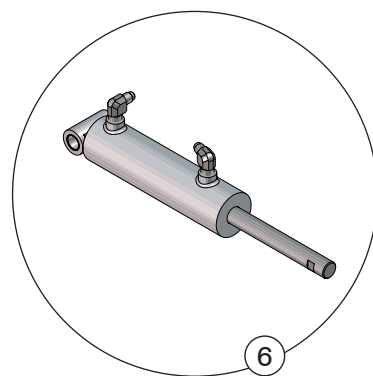
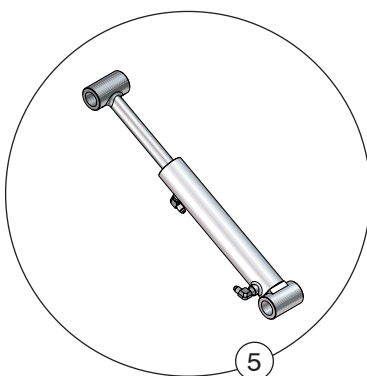
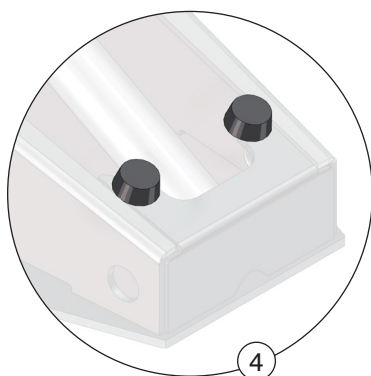
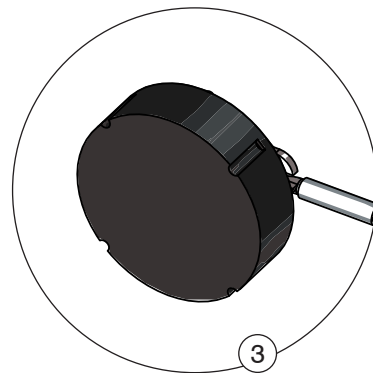
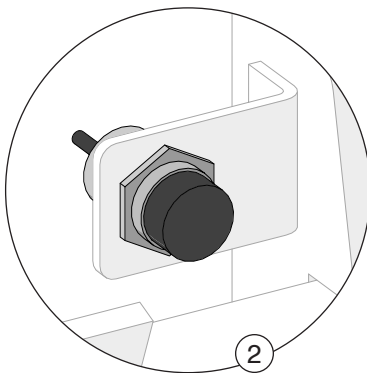
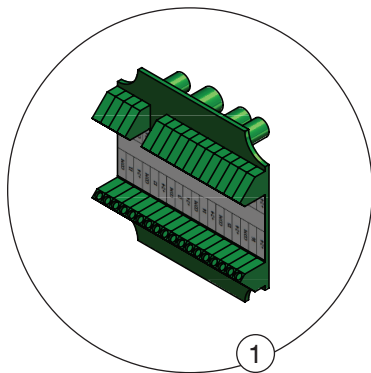
CONST. MM / YYYY: _____

TEST LOAD / TEST DE CHARGE: _____ lbs.
_____ kg.

"REFER TO SAFETY AND OPERATING INSTRUCTIONS IN YOUR OWNERS MANUAL" /
"VOIR LES CONSIGNES DE SECURITE ET LE MODE D'EMPLOI DANS VOTRE GUIDE D'UTILISATION."

038-299EF

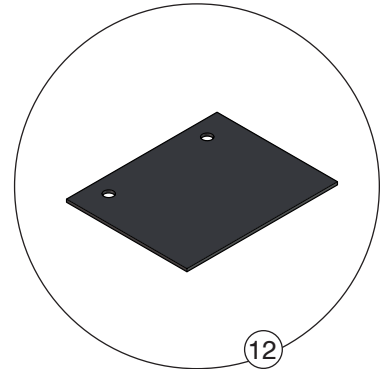
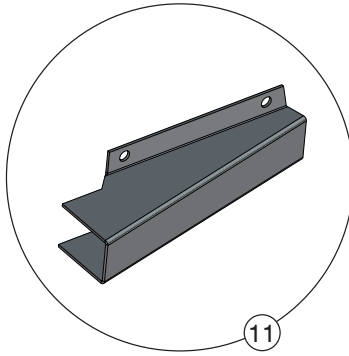
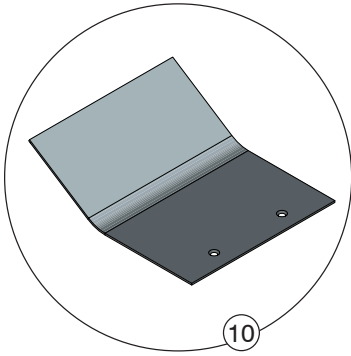
RECOMMENDED SPARE PARTS – STANDARD OPERATIONAL COMPONENTS



RSP FOR SVR303 – STANDARD OPERATIONAL COMPONENTS			
ITEM	PART NO.	DESCRIPTION	QTY REQ'D
1	026-G025BM	Remote I/O Board (No resistor)	1
2	028-206	Proximity Sensor (30mm Unshield): Home / Lip Sensor with 5m Cable	1
3	54-001563	Position Sensor with Cable	1
4	165-9197	Rubber Bumper	2
5	54-001799	Arm Cylinder with Fittings	1
6	54-00004	Lock Cylinder with Fittings	1

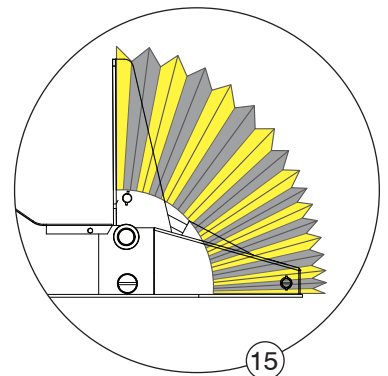
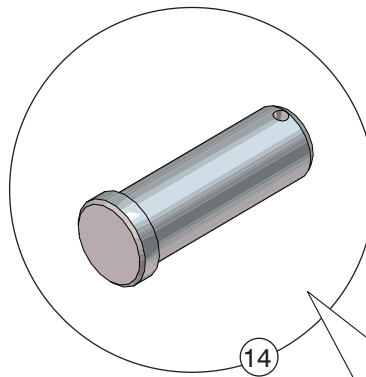
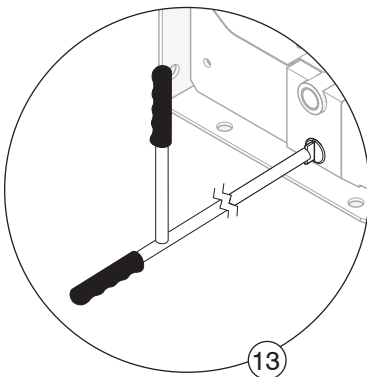
RSP FOR SVR303 – STANDARD OPERATIONAL COMPONENTS					
ITEM	PART NO.	DESCRIPTION	QTY REQ'D		
7	Hose #4 High Pressure (TYP. STD. length may change per order requirement)			1	
	100-5022-3	21' (6.4m)	Lock		Wall Mount STD. 20' hose run
	100-5022-4	23' (7.0m)	Arm		
	100-5022-1	15' (4.6m)	Lock		Pit Mount Option
	100-5022-2	17' (5.2m)	Arm	14' hose run	
8	54-012251	A: HYDPP Solenoid Cartridge (411896)		1	
		B: Coil (401893)			
9	026-G074	Solenoid Valve Connector with Cable		1	

RECOMMENDED SPARE PARTS – COMPONENT SHIELDS

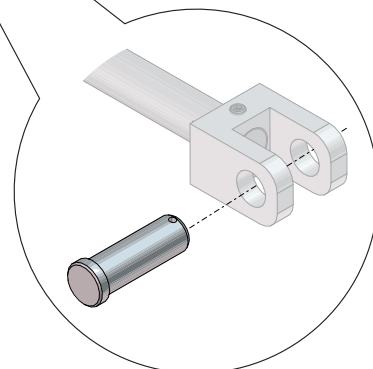


RSP FOR SVR303 – COMPONENT SHIELDS			
ITEM	PART NO.	DESCRIPTION	QTY REQ'D
10	54-010983	Body Cover	1
	54-010983-ZP	Body Cover, Zinc Plated	
11	54-001600	Cable Cover	1
	54-001600-ZP	Cable Cover, Zinc Plated	
12	54-001608	Rubber Seal	1

RECOMMENDED SPARE PARTS – OPTIONAL SUPPORT COMPONENTS

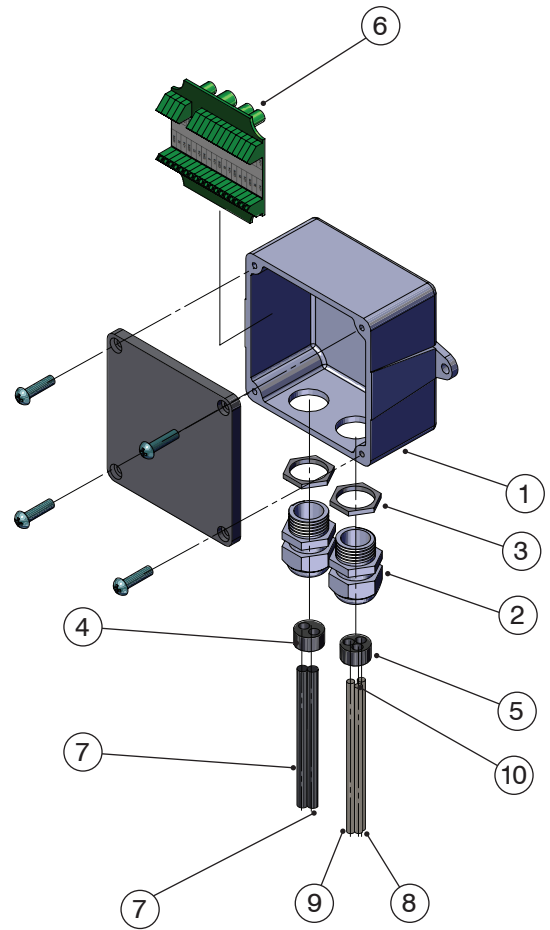


RSP FOR SVR303 – OPTIONAL SUPPORT COMPONENTS			
ITEM	PART NO.	DESCRIPTION	QTY REQ'D
13	54-001682	Lock Manual Release Tool (Long Handle)	1
14	54-00022	Rod End Pin (Lock Cylinder)	1
15	54-001686	Weather / Debris Seal Kit	1



JUNCTION BOX W/REMOTE I/O

SVR303 REMOTE I/O HARNESS ASSEMBLY # 026-H24			
ITEM	QTY	PART NO.	DESCRIPTION
1	1	025-G020M	Junction Box 4" x 4" (2 Holes)
2	2	025-174	PG16 Cable Gland
3	2	025-177	PG16 Metal Locknut
4	1	025-179	PG16 Multi-Hole Seal (2 Holes)
5	1	025-175	PG16 Multi-Hole Seal (3 Holes)
6	1	026-G025BM	Remote I/O Board (No Resistor)
7	2	026-G074	Solenoid Valve Connector - 3' (914mm)
8	1	026-H16-1	Communication Cable to Blue Genius™ - 30' (9.14 m)
9	1	54-001563	IPS Sensor
10	1	026-G035-2400	Unshielded Home / Lip Cable - 3 Wire - 20' (6.09 m)



NOTES

NOTES

NOTES

BLUE GIANT[®]
BLUE GIANT EQUIPMENT CORPORATION

Corporate 410 Admiral Blvd
Mississauga, ON, Canada L5T 2N6
t 905.457.3900 f 905.457.2313

USA 6350 Burnt Poplar Road
Greensboro, NC 27409
www.bluegiant.com