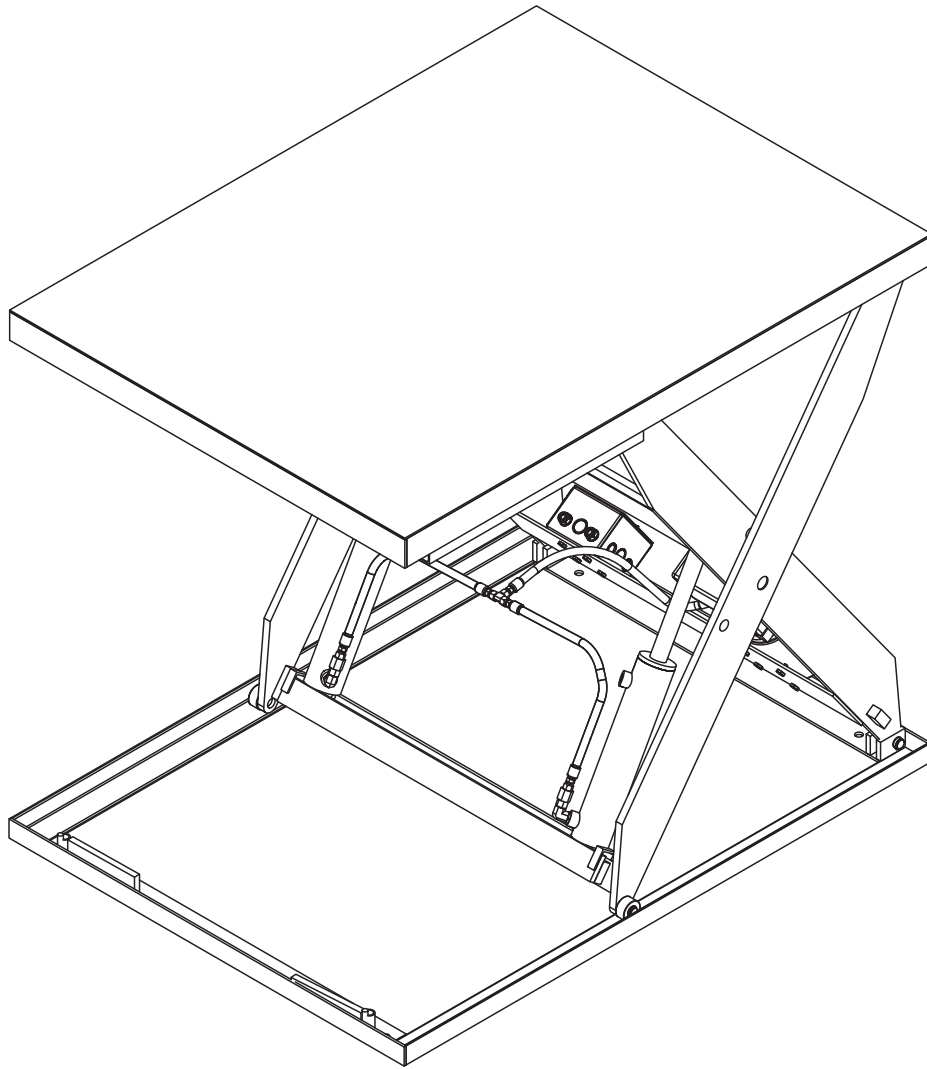


# PARTS LIST

## IN-PLANT LIFT TABLE LFTWB



ACTUAL PRODUCT MAY NOT APPEAR EXACTLY AS SHOWN

### WARNING

Do not operate or service this product unless you have read and fully understand the entire contents of this manual. Failure to do so may result in bodily injury or death.

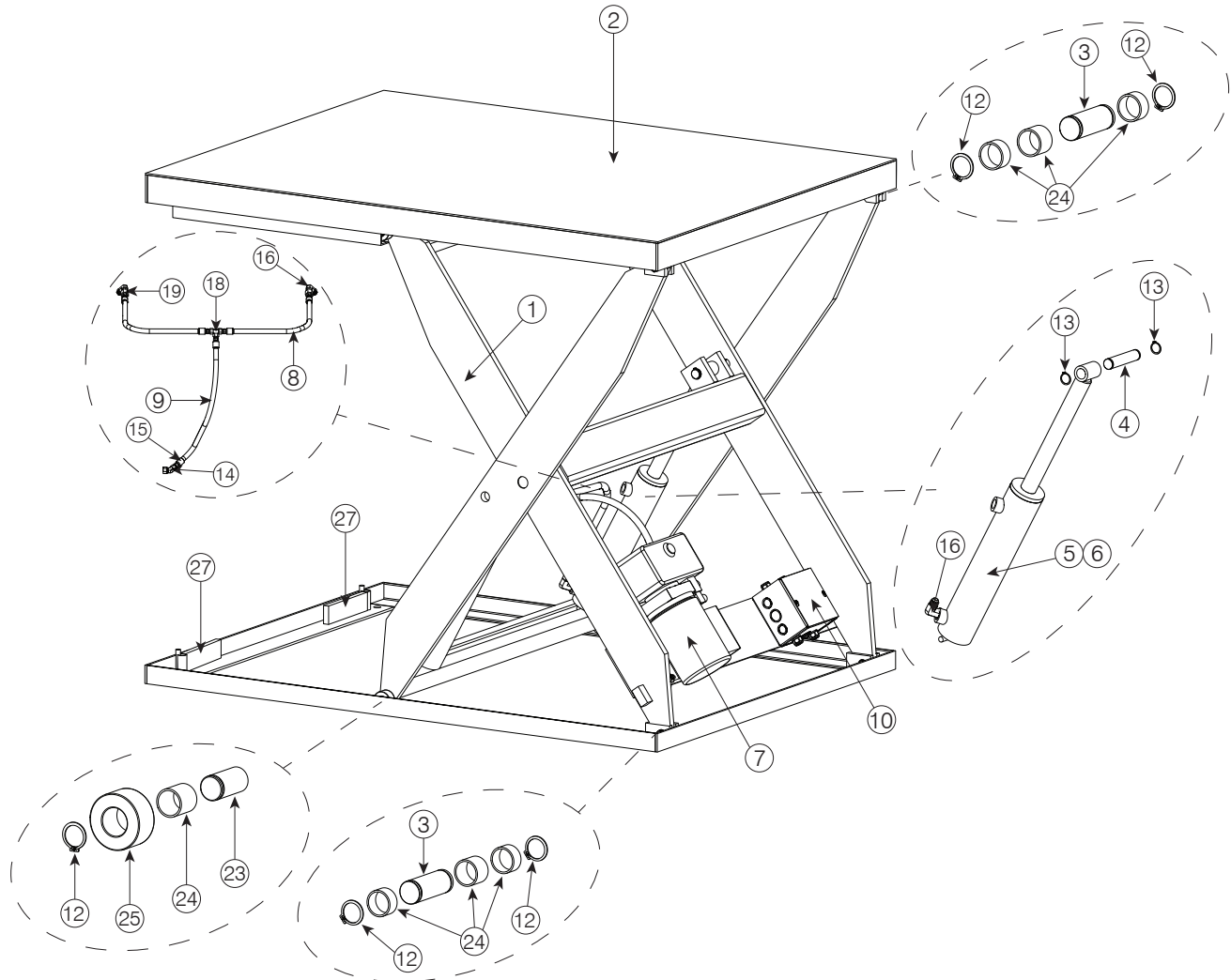
**BLUE GIANT**<sup>®</sup>



# 1.0 LIFT TABLE MECHANICAL ASSEMBLY

This diagram shows a detailed view of the Lift Table assembly.

**NOTE:** Actual product may not appear exactly as shown.



| ITEM | QTY | PART NO.        | DESCRIPTION                              |
|------|-----|-----------------|--|
| 1    | 1   | Varies on Model | ASSY,LEG/FRAME,LFTXB48,48W 64L 7.5LH,4K  |
| 2    | 1   | Varies on Model | WELDMENT,DECK,LFTXB,48WX64L              |
| 3    | 4   | 071-0102        | LEG BLOCK PIN, 0.87ODX2-3/8L             |
| 4    | 2   | 071-0098        | CYLINDER PIN,1 ODX4-3/4L                 |
| 5    | 1   | Varies on Model | WELDMENT,CYLINDER,3"DIA,12"STROKE,SIDE D |
| 6    | 1   | Varies on Model | WELDMENT,CYLINDER,3"DIA,12"STROKE,SIDE B |
| 7    | 1   | Varies on Model | POWER PACK,1HP                           |
| 8    | 1   | Varies on Model | HOSE,23 3/4 in LG,#6 HIGH PRESSURE       |

IN-PLANT LFTWB — PARTS LIST

| ITEM | QTY | PART NO.        | DESCRIPTION                             |
|------|-----|-----------------|---|
| 9    | 2   | Varies on Model | HOSE,21 1/8 in LG,#6 HIGH PRESSURE      |
| 10   | 1   | 071-0139        | ENCLOSURE BOX,STEEL,6X6X4 KNOCK OUT     |
| 11   | 1   | Varies on Model | PENDANT,2 BUTTON, 251200                |
| 12   | 12  | 071-0072        | RETAINING RING,EXTERNAL,7/8"            |
| 13   | 4   | 013-034         | EXTERNAL RETAINING RING                 |
| 14   | 1   | 071-0065        | FITTING,ELBOW,45DEG,6502-06-06          |
| 15   | 6   | 071-0075        | SWIVEL,FJX-06-06                        |
| 16   | 2   | 071-0070        | FTNG;ELBOW;90DEG; 3/8JIC                |
| 17   | 4   | 071-0077        | LOCK NUT,NPT,1/2"                       |
| 18   | 1   | 034-551         | #6 JIC RUN TEE FITTING                  |
| 19   | 2   | 071-0004        | VELOCITY FUSE,1/4MALE NPT X 3/8MALE JIC |
| 20   | 8   | 012-238         | WASHER,SPACER,1/2X1X5/64,NP             |
| 21   | 8   | 011-502         | NUT,HEX,5/16-18,PREFERRED               |
| 22   | 8   | 010-037         | SCREW,CAP,HEX HD,5/16-18x0.75X0.75      |
| 23   | 4   | 071-0106        | WHEEL PIN,LOWER,7/8ODX1-3/4 L           |
| 24   | 17  | 071-0019        | BUSHING,0.876X1.003X1                   |
| 25   | 4   | 071-0104        | STEEL,WHEEL,2"OD,1"HOLE                 |
| 26   | 2   | 071-0103        | STEEL,WHEEL SPACER,1 1/2 OD,7/8 ID      |
| 27   | 2   | 090-835         | STEEL,BAR,FLAT,REC,2"X5/8" WIDE         |

## 1.1 RECOMMENDED PARTS

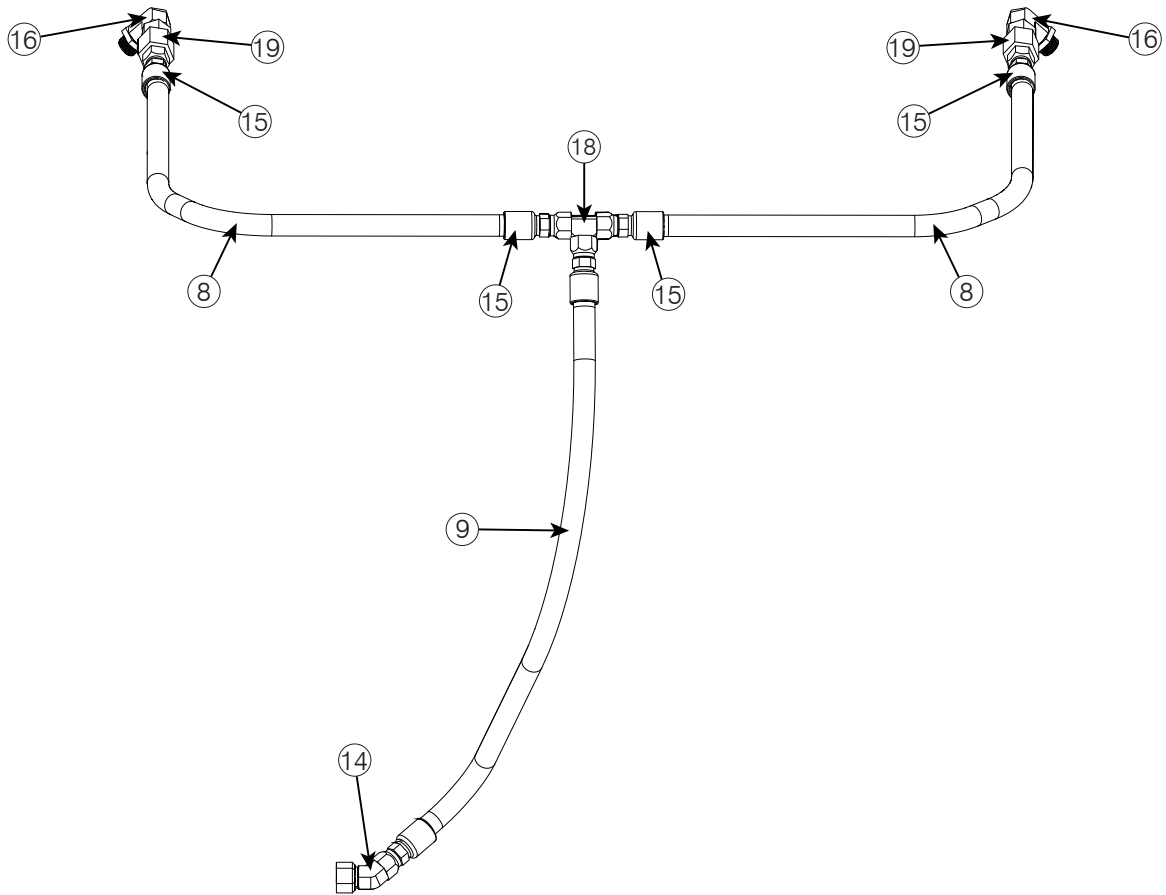
## 1.2 STANDARD OPERATIONAL COMPONENTS

| Lift Table STANDARD OPERATIONAL COMPONENTS |     |                 |  |
|--|-----|-----------------|--|
| ITEM                                       | QTY | PART NO.        | DESCRIPTION                              |
| 3  | 4   | 071-0102        | LEG BLOCK PIN, 0.87ODX2-3/8L             |
| 4  | 2   | 071-0098        | CYLINDER PIN,1 ODX4-3/4L                 |
| 5  | 1   | Varies on Model | WELDMENT,CYLINDER,3"DIA,12"STROKE,SIDE D |
| 6  | 1   | Varies on Model | WELDMENT,CYLINDER,3"DIA,12"STROKE,SIDE B |
| 7  | 1   | Varies on Model | POWER PACK,1HP                           |
| 8  | 1   | Varies on Model | HOSE,23 3/4 in LG,#6 HIGH PRESSURE       |
| 9  | 2   | Varies on Model | HOSE,21 1/8 in LG,#6 HIGH PRESSURE       |
| 10   | 1   | 071-0139        | ENCLOSURE BOX,STEEL,6X6X4 KNOCK OUT      |

## 1.3 OPTIONAL SUPPORT COMPONENTS

| Lift Table OPTIONAL COMPONENTS |     |                 |   |
|--------------------------------|-----|-----------------|---|
| ITEM                           | QTY | PART NO.        | DESCRIPTION                             |
| 11                             | 1   | Varies on Model | PENDANT,2 BUTTON, 251200                |
| 12                             | 12  | 071-0072        | RETAINING RING,EXTERNAL,7/8"            |
| 13                             | 4   | 013-034         | EXTERNAL RETAINING RING                 |
| 14                             | 1   | 071-0065        | FITTING,ELBOW,45DEG,6502-06-06          |
| 15                             | 6   | 071-0075        | SWIVEL,FJX-06-06                        |
| 16                             | 2   | 071-0070        | FTNG;ELBOW;90DEG; 3/8JIC                |
| 17                             | 4   | 071-0077        | LOCK NUT,NPT,1/2"                       |
| 18                             | 1   | 034-551         | #6 JIC RUN TEE FITTING                  |
| 19                             | 2   | 071-0004        | VELOCITY FUSE,1/4MALE NPT X 3/8MALE JIC |
| 20                             | 8   | 012-238         | WASHER,SPACER,1/2X1X5/64,NP             |
| 21                             | 8   | 011-502         | NUT,HEX,5/16-18,PREFERRED               |
| 22                             | 8   | 010-037         | SCREW,CAP,HEX HD,5/16-18x0.75X0.75      |
| 23                             | 4   | 071-0106        | WHEEL PIN,LOWER,7/8ODX1-3/4 L           |
| 24                             | 17  | 071-0019        | BUSHING,0.876X1.003X1                   |
| 25                             | 4   | 071-0104        | STEEL,WHEEL,2"OD,1"HOLE                 |
| 26                             | 2   | 071-0103        | STEEL,WHEEL SPACER,1 1/2 OD,7/8 ID      |
| 27                             | 2   | 090-835         | STEEL,BAR,FLAT,REC,2"X5/8" WIDE         |

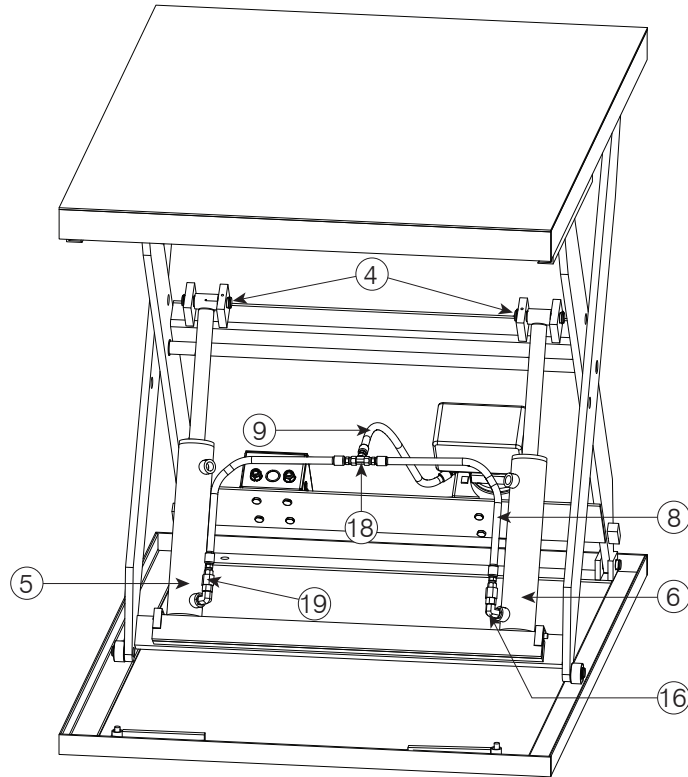
| Lift Table HOSES |     |                 |   |
|------------------|-----|-----------------|---|
| ITEM             | QTY | PART NO.        | DESCRIPTION                             |
| 8                | 1   | Varies on Model | HOSE,23 3/4 in LG,#6 HIGH PRESSURE      |
| 9                | 2   | Varies on Model | HOSE,21 1/8 in LG,#6 HIGH PRESSURE      |
| 14               | 1   | 071-0065        | FITTING,ELBOW,45DEG,6502-06-06          |
| 15               | 6   | 071-0075        | SWIVEL,FJX-06-06                        |
| 16               | 2   | 071-0070        | FTNG;ELBOW;90DEG; 3/8JIC                |
| 18               | 1   | 034-551         | #6 JIC RUN TEE FITTING                  |
| 19               | 2   | 071-0004        | VELOCITY FUSE,1/4MALE NPT X 3/8MALE JIC |



## 1.4 LIFT TABLE ROLLING END

This diagram displays the Lift Table and the field replaceable parts.

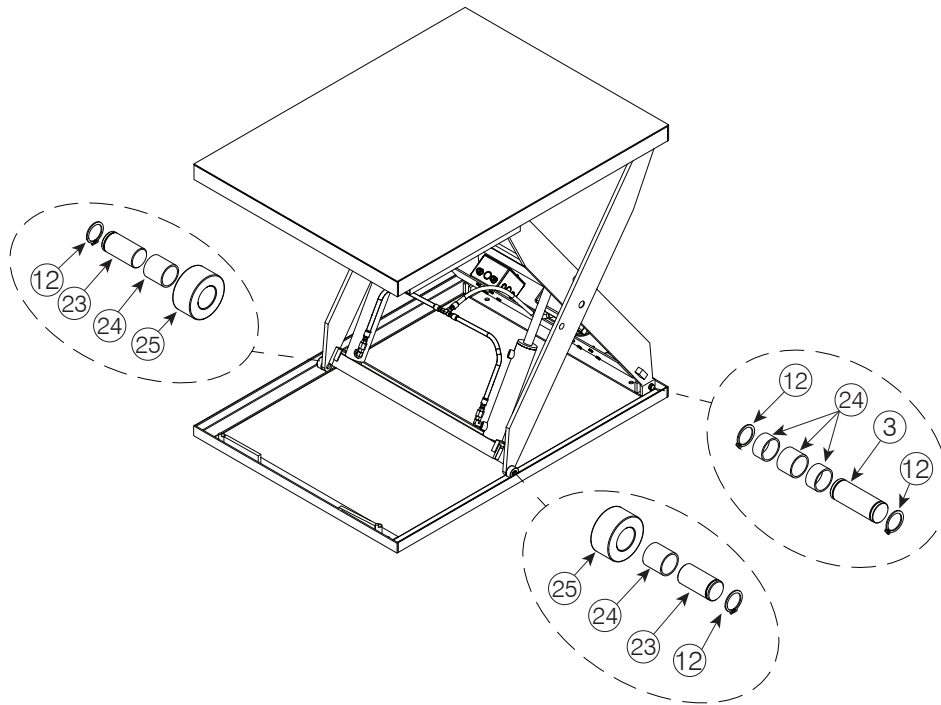
**NOTE:** Actual product may not appear exactly as shown.





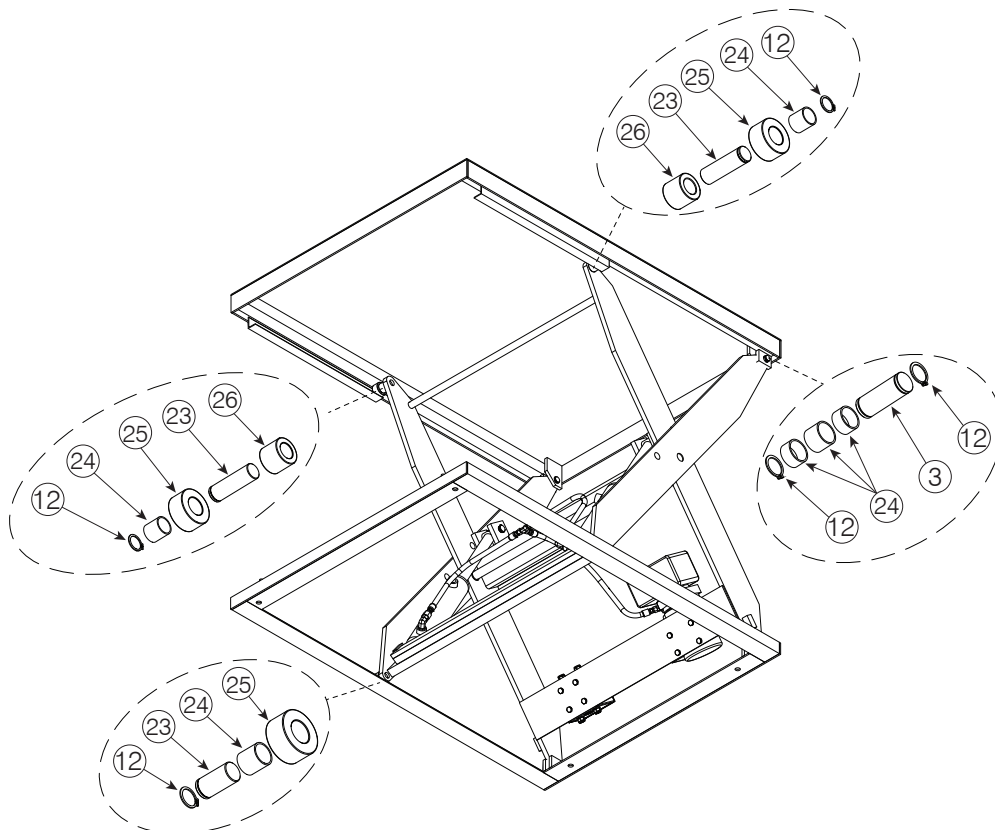
## 1.5 LIFT TABLE LOWER FRAME AND ROLLING END DETAIL

This diagram displays the Lift Table skeleton and the lower frame components.



## 1.6 LIFT TABLE UPPER FRAME AND FIXED END DETAIL

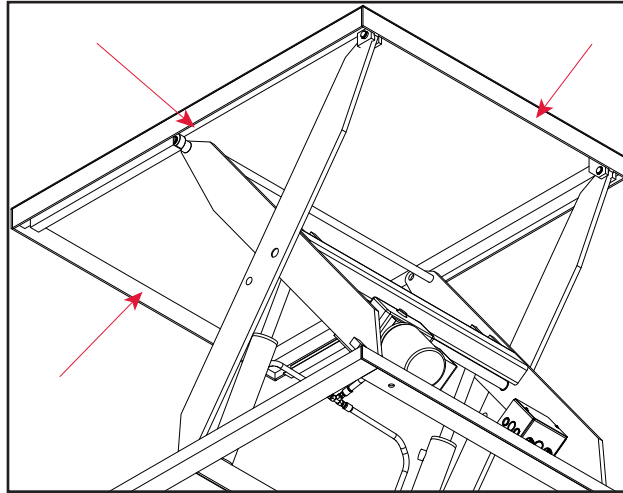
This diagram displays the Lift Table and the lower frame components.



## 1.7 ACCORDION SAFETY SKIRT

This diagram displays the accordion safety skirt hangers (if present) under the deck and where to anchor it on the lower frame.

**NOTE:** Actual product may not appear exactly as shown.

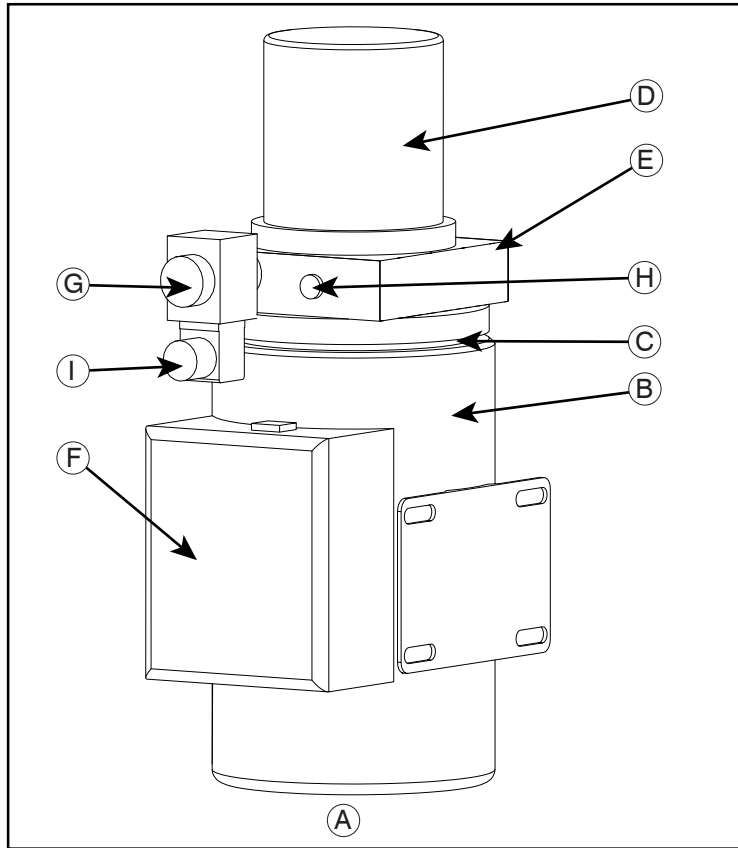




## 2.0 POWERPACK PART IDENTIFICATION

The assembly and parts of the Powerpack are listed below for easy reference.

**NOTE:** Refer to the electrical drawings for specific wiring requirements



| LIFT TABLE POWERPACK PART NUMBER # VARIES ON MODEL |     |                        |
|--|-----|------------------------|
| ITEM   | QTY | DESCRIPTION            |
| A  | 1   | POWERPACK 1HP //60 GPM |
| B  | 1   | Motor                  |
| C  | 1   | Pump (not shown)       |
| D  | 1   | Tank/Reservoir         |
| E  | 1   | Manifold               |
| F  | 1   | Junction Box           |
| G  | 1   | SV1                    |
| H  | 1   | Pressure Port          |
| I  | 1   | Electrical Connection  |

## 2.1 HYDRAULIC SCHEMATIC

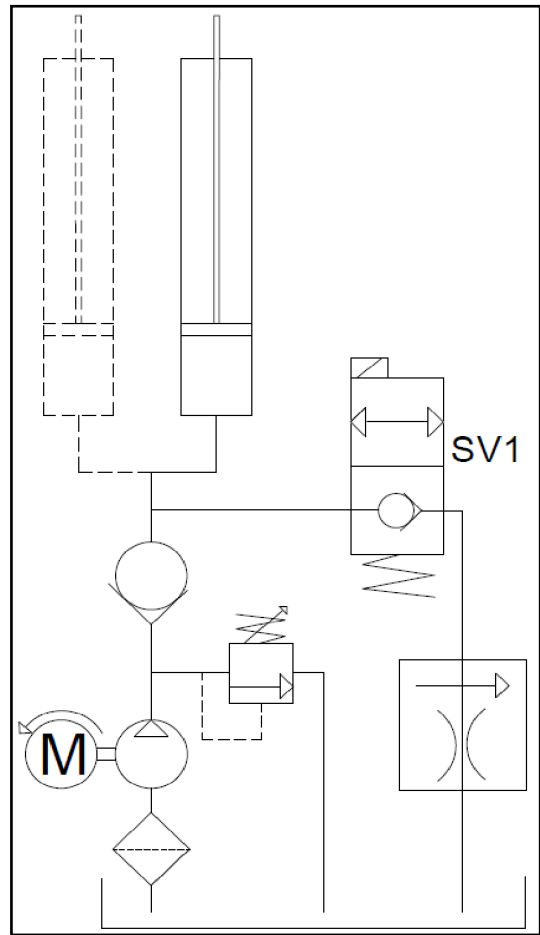
This diagram illustrates a sample (lift power up and gravity power down) Powerpack hydraulic circuit.

**NOTE:** Always refer to site documentation for installation specifics.

**TRUTH TABLE:**

| ACTION    | MOTOR | SV1 |
|-----------|-------|-----|
| DECK UP   | X     |     |
| DECK DOWN |       | X   |

| VERTICAL TRAVEL (in) | CAPACITY (LB) | CYL. QTY. |
|----------------------|---------------|-----------|
| 36 & 48              | 2000          | 1         |
|                      | 4000          | 2         |

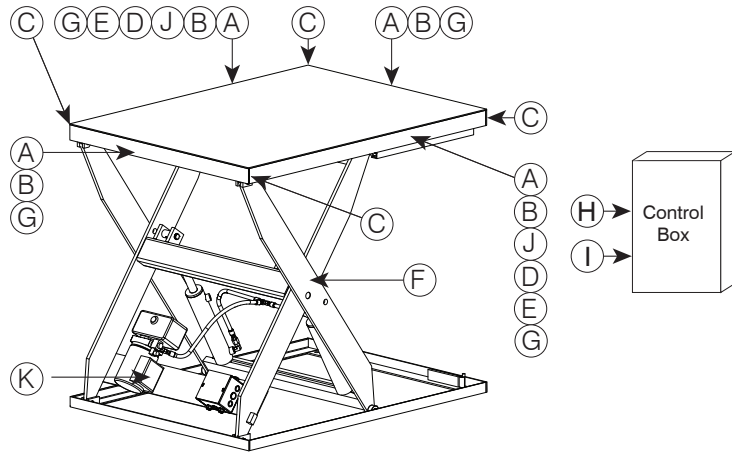
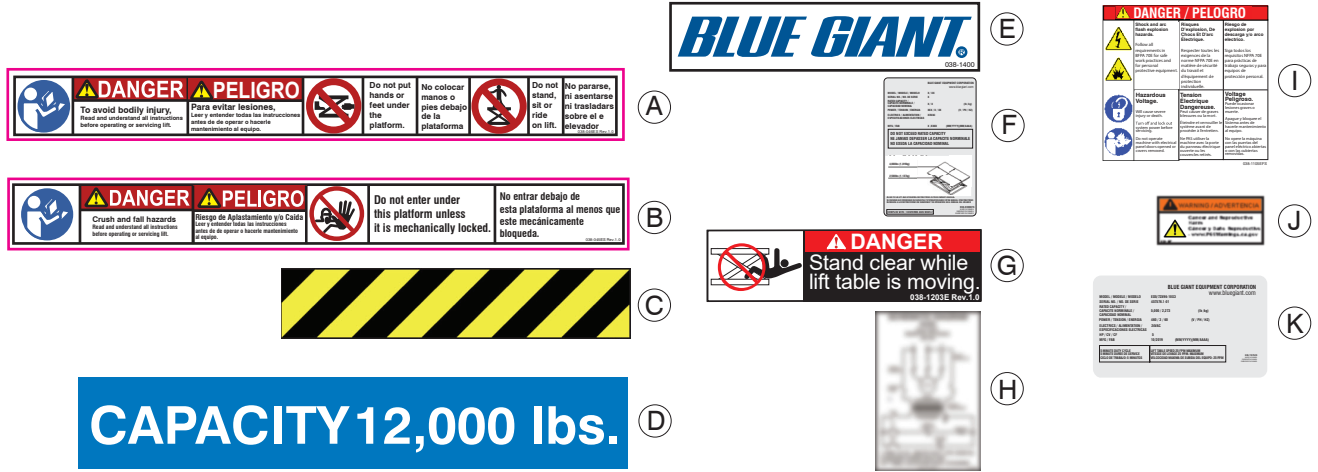


HYDRAULIC SCHEMATIC

### 3.0 DECAL IDENTIFICATION AND LOCATION

These labels inform operators and personnel about hazardous areas on and around the Lift Table.

**NOTE:** Actual product may not appear exactly as shown.



| Call out | Qty                           | Part No.          | Description   |
|----------|-------------------------------|-------------------|---|
| A        | 2 or 4 (varies on table size) | 038-045           | Warns personnel to read operating instructions before using the Lift Table and warn of possible bodily injury               |
|          |                               | EF<br>ES          |   |
| B        | 2 or 4 (varies on table size) | 038-046           | Warns personnel to employ the Maintenance Strut and Service Stand before working on and under the Lift Table                |
|          |                               | EF<br>ES          |   |
| C        | 4                             | 038-237           | Safety Stripe tape to alert personnel of hazardous areas and edges (i.e. toe guards, edges)                                 |
| D        | 2                             | (varies on model) | Deck Capacity (example only) (locations may vary)   |
| E        | 2                             | 038-1400          | Blue Giant logo (locations may vary)  |
| F        | 2                             | 038-1106EFS       | Nameplate to identify the Lift Table, serial number, and load transfer capacities   |
| G        | 1 or 2                        | 038-1203          | Warns personnel to stand clear of Lift Table and the immediate area while it is in operation                                |
|          |                               | E<br>S            |   |
| H        | 1                             | 114-308           | Wiring diagram for facility hookup (Keep in electrical box) (Sample only shown)   |
| I        | 1                             | 038-1105EFS       | Reminds personnel to lock out the electrical feeds before attempting work on the Lift Table (on exterior of electrical box) |
| J        | 2                             | 038-1097          | Proposition 65 Cancer and Reproductive Harm Warning - California only (locations may vary)                                  |
| K        | 1                             | 038-1107EFS       | Rated deck capacity and electrics (Located on Powerpack)  |

#### OPERATION PLACARD



# WARNING

## APPLIES TO BLUE GIANT SCISSOR LIFTS

Do not operate this scissor lift without proper training and authorization.

### READ AND UNDERSTAND THE FOLLOWING:

*The instructions and warnings on this placard and in the owner's manual.*

*The warnings on the scissor lift decals.*

Do NOT go under the scissor lift platform to clean or perform routine maintenance unless the Maintenance Strut and Service Stand are safely and securely engaged.

#### **Prior to using the scissor lift:**

- *Verify that all safety devices (guard rails, restraint chains, toe guards, and warning bells-if equipped) are in place and functioning properly.*

- *Operate the scissor lift through one complete lift / lower cycle and verify its proper operation. Inspect the scissor lift for signs of structural damage or mechanical malfunction. If damage is observed or the unit fails to operate properly, remove them from service and notify maintenance personnel immediately.*

Do NOT exceed the capacity as stated on the nameplate.

Ensure that the scissor lift serial nameplate is present and legible.

Do NOT leave the control station where it can be accidentally operated or damaged.

Be aware that lift capacity may be reduced when loads are rolled over the platform sides or edges. Refer to the nameplate for reduced capacity under these conditions.

If loads are mobile, secure them in a fixed position before operating the scissor lift.

Lift operator(s) must be present during all steps of operation.

Lift operator(s) must keep an unobstructed view of lift, any operation light/horn/bell, and other operators to ensure safe operation.

Ensure that all personnel near the scissor lift are aware that it is being operated.

Keep objects, control cables, spills, possible trip hazards, and debris away from around or under the scissor lift platform/lip and its travel path.

If the scissor lift is equipped with a hinged bridge(s), the bridge must overlap the trailer bed by a minimum of 4" (102mm) before use. Do not use the bridge if it is supported solely by the lifting chain.

Hinged lips may drop unexpectedly, keep people and objects clear of the area immediately under or near the lip.

#### **If maintenance or service is required:**

- *Only authorized service personnel shall provide maintenance / service on the lift.*

- *Follow approved lockout procedures.*

- *Do NOT work on or under the lift without properly engaging the lift's maintenance strut. Blue Giant recommends the use of a secondary means (service stand) of securing the scissor lift while performing repairs under the deck.*

- *The lift shall not be modified or altered without written approval from an authorized Blue Giant representative.*

- *Maintain records of repairs and preventive maintenance reports.*











**BLUE GIANT**<sup>®</sup>  
BLUE GIANT EQUIPMENT CORPORATION

**Corporate** 410 Admiral Blvd  
Mississauga, ON, Canada L5T 2N6  
t 905.457.3900 f 905.457.2313

**USA** 6350 Burnt Poplar Road  
Greensboro, NC 27409  
[www.bluegiant.com](http://www.bluegiant.com)