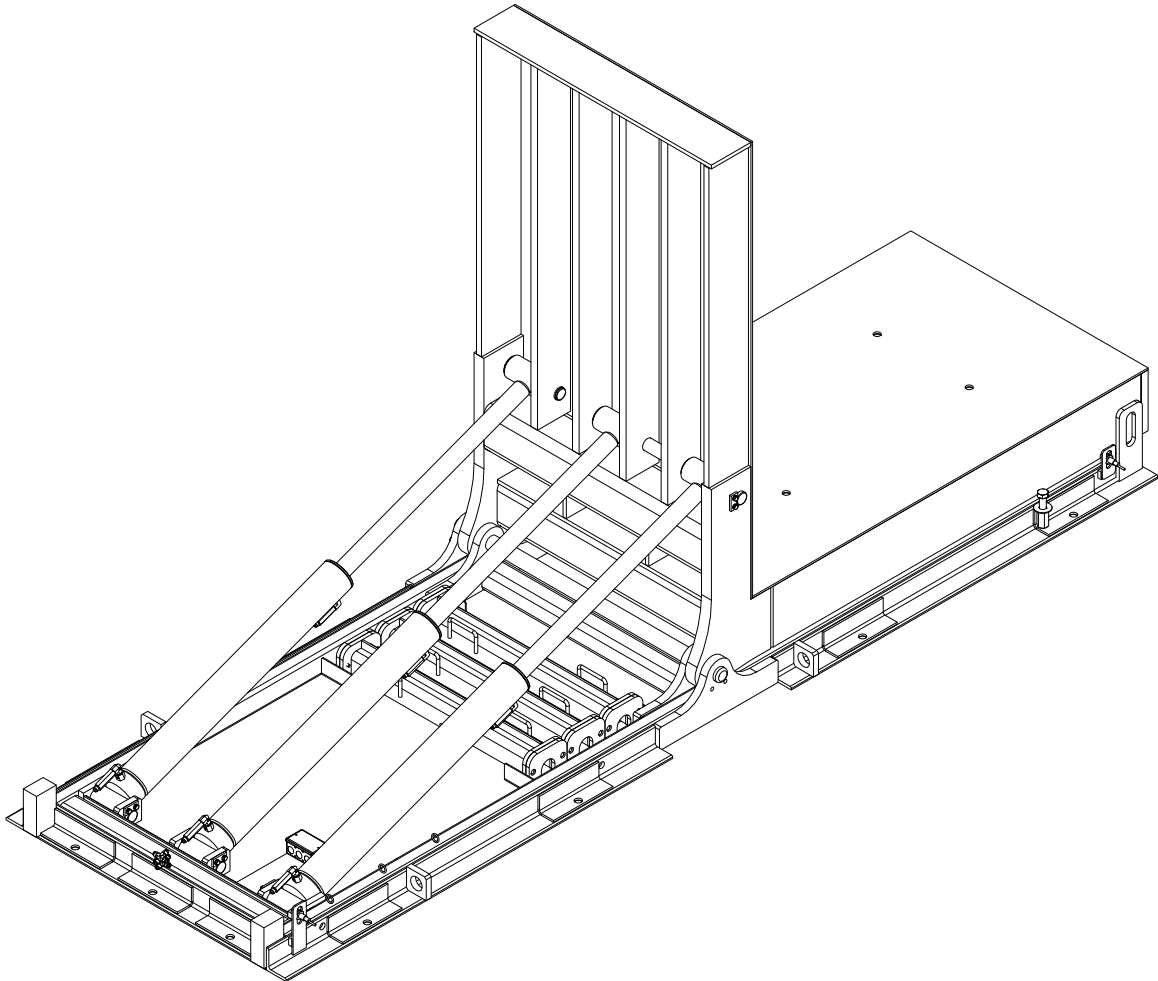


# PARTS LIST

---

## IN-PLANT UPENDER LIFT TABLE



ACTUAL PRODUCT MAY NOT APPEAR EXACTLY AS SHOWN

**WARNING**

Do not operate or service this product unless you have read and fully understand the entire contents of this manual. Failure to do so may result in bodily injury or death.

**BLUE GIANT**<sup>®</sup>



## 1.0 RECOMMENDED PARTS

### 1.1 STANDARD OPERATIONAL COMPONENTS

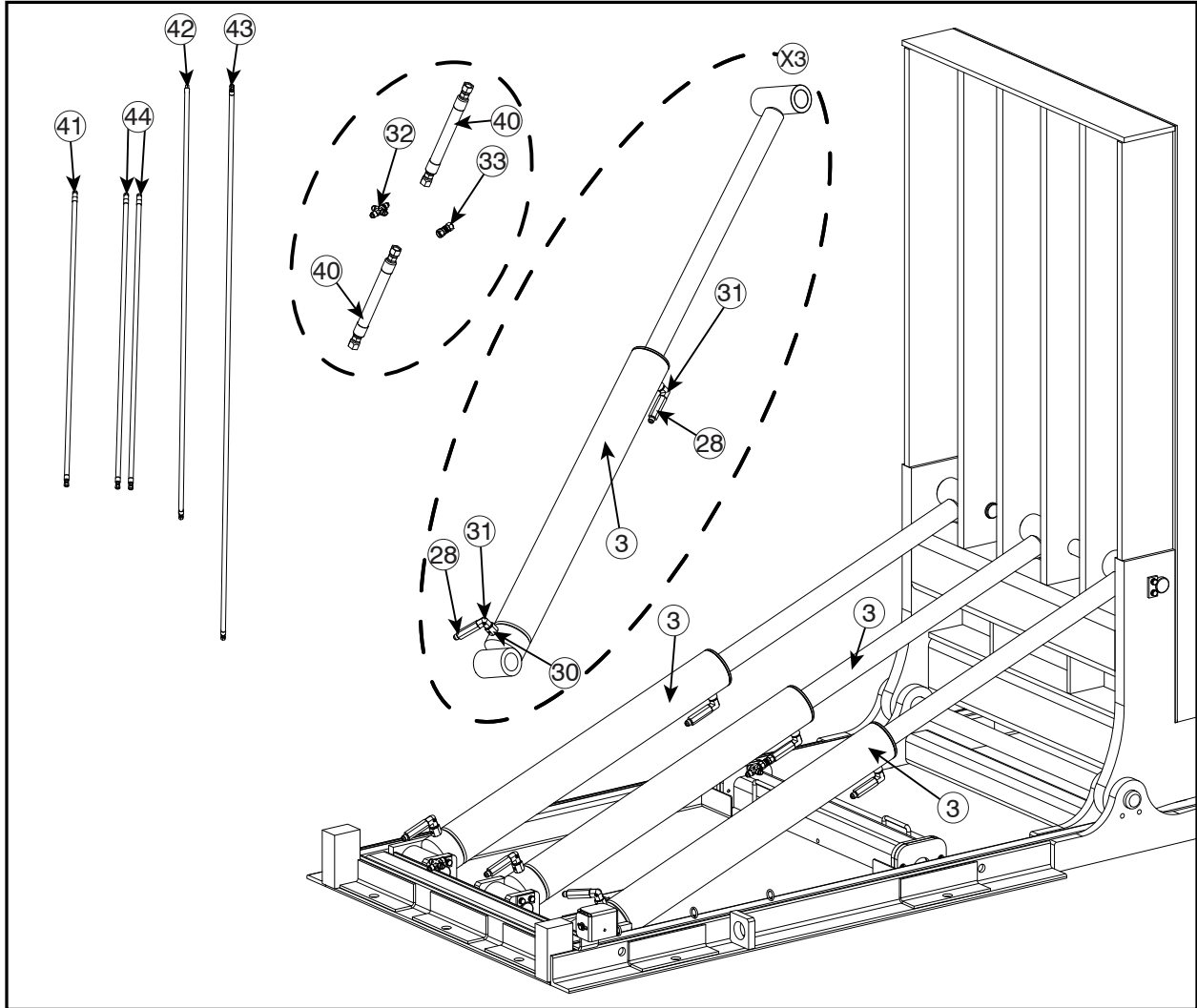
TILT TABLE STANDARD OPERATIONAL COMPONENTS			
ITEM	QTY	PART NO.	DESCRIPTION
3	3	Varies on Model	CYLINDER ASSY (3-1/2"DIA), ED/FS/DS [29 1/2" STROKE], D/A
4	2	018-125	SPHERICAL BEARING, 1.75" ID, MAINT FREE
5	12	018-099	BUSHING, PLASTIC, 1 1/2in ID x 2in L
6	16	105-894	THRUST WASHER FLAT 1.75"ID X 2.75"OD X 0.0585"THK IGUS GTI-2844-01
7	14	105-884	THRUST WASHER FLAT 1-1/2"ID X 2-1/2"OD X 0.0585"THK IGUS GTI-2440-01
8	3	2021512	PIN, 1 1/2" OD X 6.375" L SUPERIOR SHAFTING
9	1	2021453	PIN, 1 3/4" OD X 40" L SUPERIOR SHAFTING
10	1	2021459	PIN, 1 1/2" OD X 9.375" L SUPERIOR SHAFTING
11	1	2021511	PIN, 1 1/2" OD X 23" L SUPERIOR SHAFTING
28	3	033-538	EXCESS FLOW PROTECTOR 2 GPM, 6FNPT-6MJIC
29	3	033-533	EXCESS FLOW PROTECTOR 1.75 GPM, 6FNPT-6MJIC
36	2	028-209	PROXIMITY SENSOR - XS618B1MBL2-N/C
35	1	Varies on Model	POWERPACK 5HP 208-230 460V/3/60 INT. VER 8GAL
37	1	026-224	FOOT SWITCH

## 1.2 OPTIONAL SUPPORT COMPONENTS

TILTER TABLE OPTIONAL COMPONENTS			
ITEM	QTY	PART NO.	DESCRIPTION
12	5	2018378	PIN RETAINER PLATE
13	1	2020490	PIN RETAINER PLATE - 3/8" THK
14	6	2021755	SAFETY STOP END PAD
15	3	2021653	SAFETY STOP WELDMENT, 28-1/4"L
16	2	011-010	SCREW,RD HD,#10-24,PREFERRED
17	4	012-202	WASHER,LOCK,SPG,REGULAR,1/4,PREFERRED
18	4	010-000	SCREW,CAP,HEX HD,1/4-20x0.75X0.75,GR5,PREFERRED
19	4	012-210	WASHER,FLAT,ZN PLD,1/4,PREFERRED
20	12	011-211	Black-Oxide Alloy Steel Socket Head Screw, 5/16"-18 Thread Size, 5/8" Long
21	10	010-006	SCREW,CAP,HEX HD,5/16-18x1X1,GR5,PREFERRED
22	2	010-048	SCREW,CAP,HEX HD,1/2-13x1.5X1.25,GR5,PREFERRED
23	2	012-212	WASHER FLAT 1/2" BOLT SIZE ZINC PLATED
24	2	012-220	LOCKWASHER SPRING,1/2in BOLT SIZE
25	10	012-200	WASHER,LOCK,SPG,REGULAR,5/16,PREFERRED
26	2	010-086	SCREW,CAP,HEX HD,3/4-10x3.25X1.75,GR5,PREFERRED
27	2	012-214	WASHER,FLAT,3/4,PREFERRED
30	3	034-606	FITTING,06MP-06FP,STR
31	6	034-610	FITTING,06MP-06MP,90 ELBOW
32	2	071-0051	FITTING,CROSS,#6 JIC
33	1	034-689	FITTING,06FJS-06FJS,STR
37	1	025-000	JUNCTION BOX
38	1	025-001	COVER
39	2	2021855	SENSOR COVER

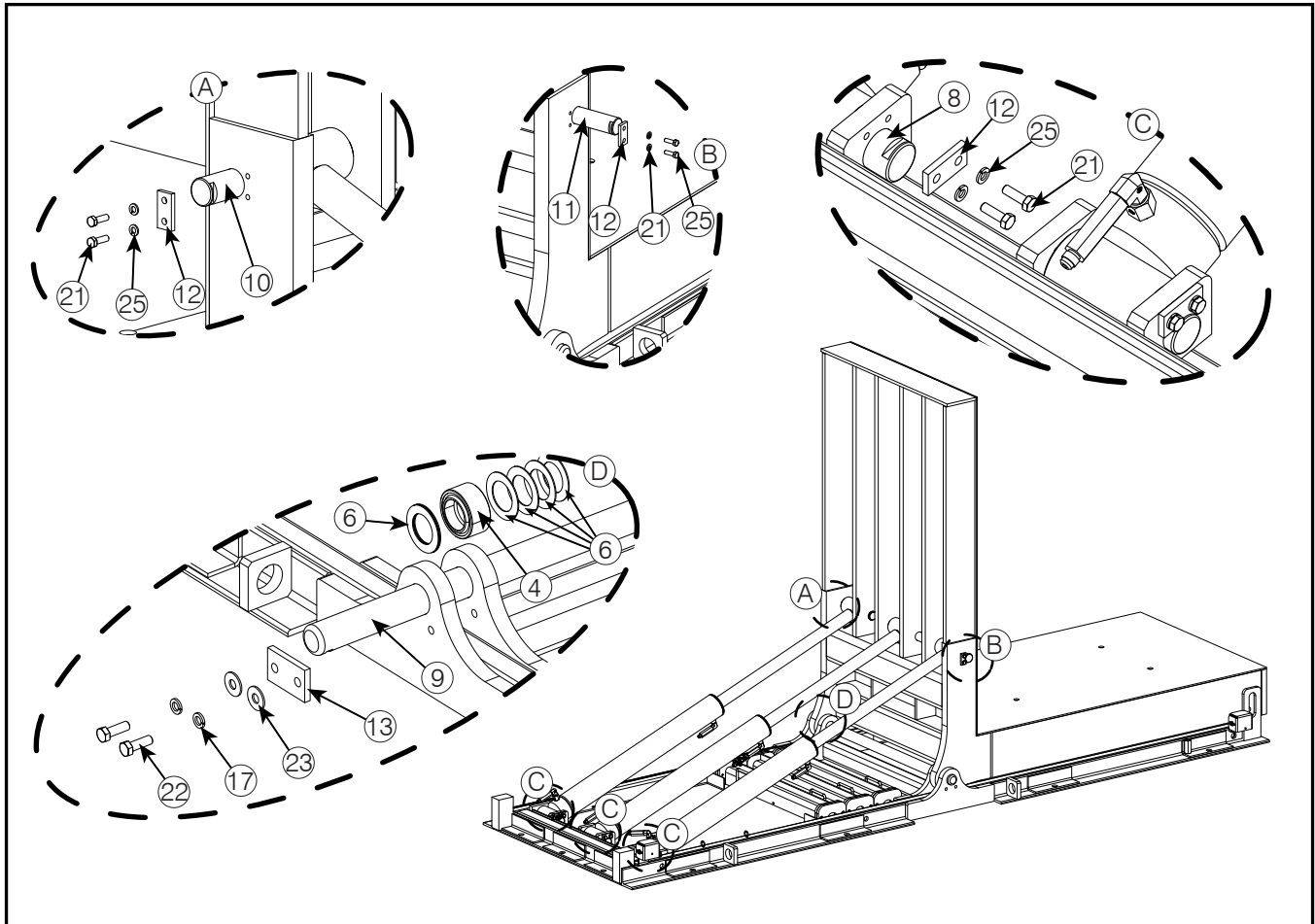
### 1.3 TILT TABLE CYLINDERS

This diagram displays the Lift Table skeleton and the lower frame components.



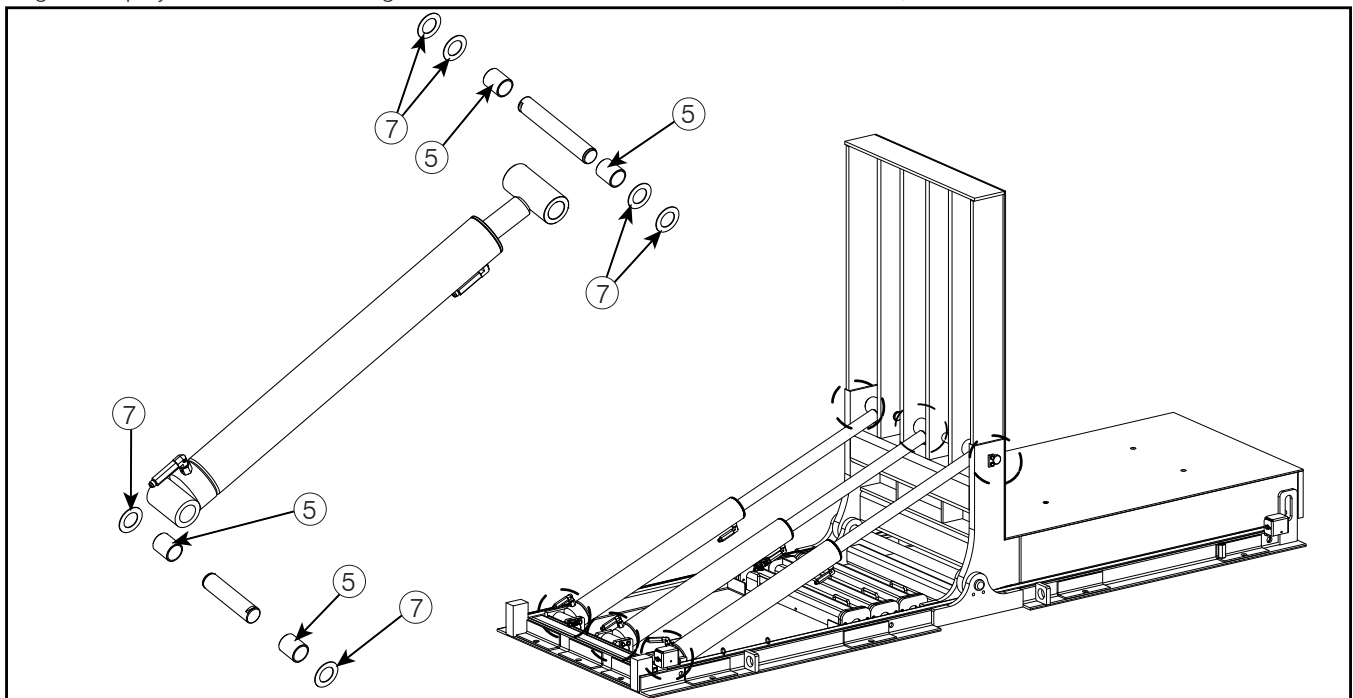
### 1.4 TILT TABLE PINS AND RETAINER PLATES

This diagram displays the tilt table bushings. Match callouts to item numbers in sections 1.1, 1.2.



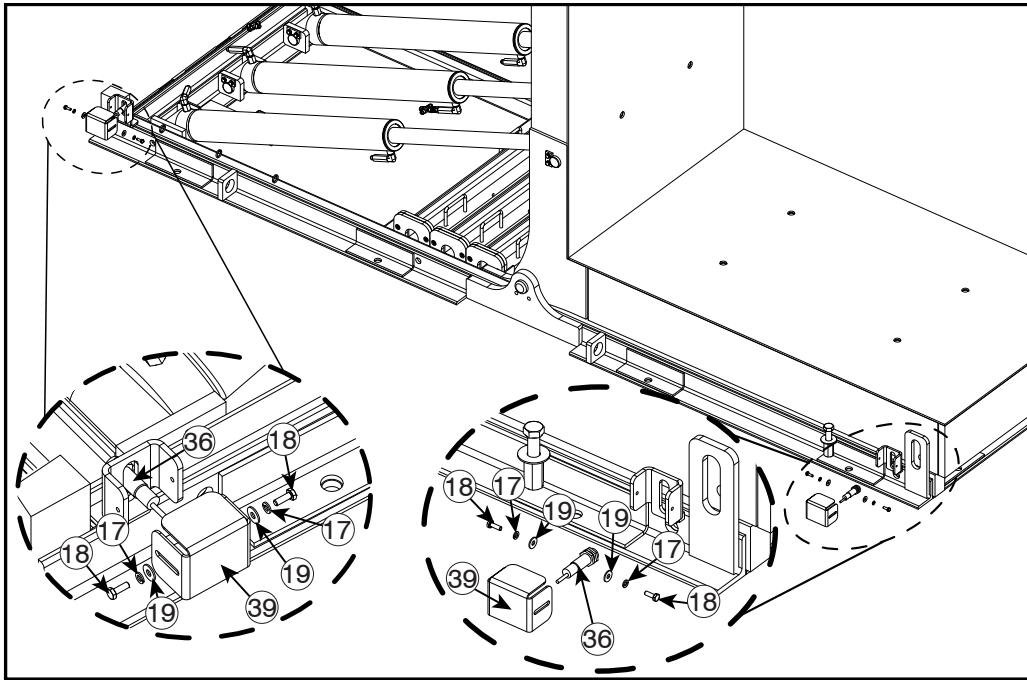
### 1.5 TILT TABLE BUSHING AND WASHERS

This diagram displays the tilt table bushings. Match callouts to item numbers in sections 1.1, 1.2.



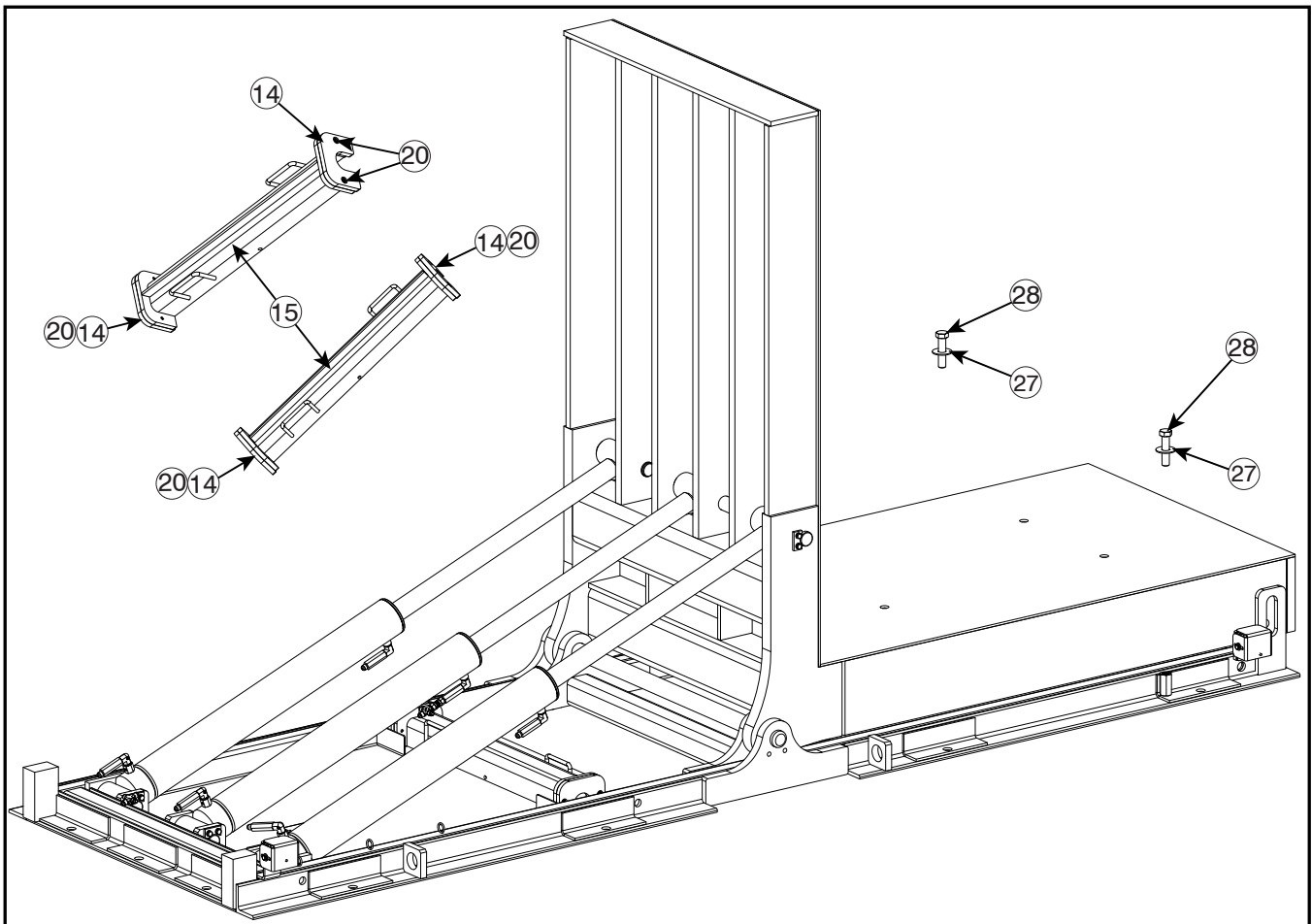
## 1.6 FRAME SENSORS

This diagram displays the tilt table sensors and related hardware. Match callouts to item numbers in sections 1.1, 1.2.



## 1.7 MAINTENANCE STRUTS AND SERVICE STANDS

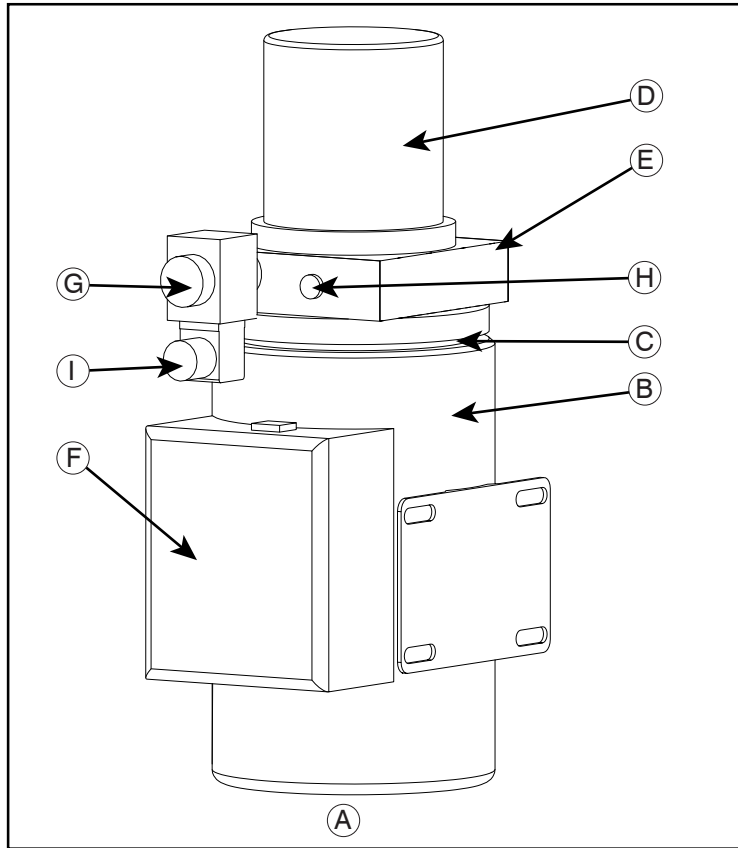
This diagram displays the Maintenance Struts and the Service Stands. Match callouts to item numbers in sections 1.1, 1.2.



## 2.0 POWERPACK PART IDENTIFICATION

The assembly and parts of the Powerpack are listed below for easy reference.

**NOTE:** Refer to the electrical drawings for specific wiring requirements



LIFT TABLE POWERPACK PART NUMBER VARIES ON MODEL		
ITEM	QTY	DESCRIPTION
A	1	POWERPACK 1HP //60 GPM
B	1	Motor
C	1	Pump (not shown)
D	1	Tank/Reservoir
E	1	Manifold
F	1	Junction Box
G	1	SV1
H	1	Pressure Port
I	1	Electrical Connection



## 2.1 HYDRAULIC SCHEMATIC

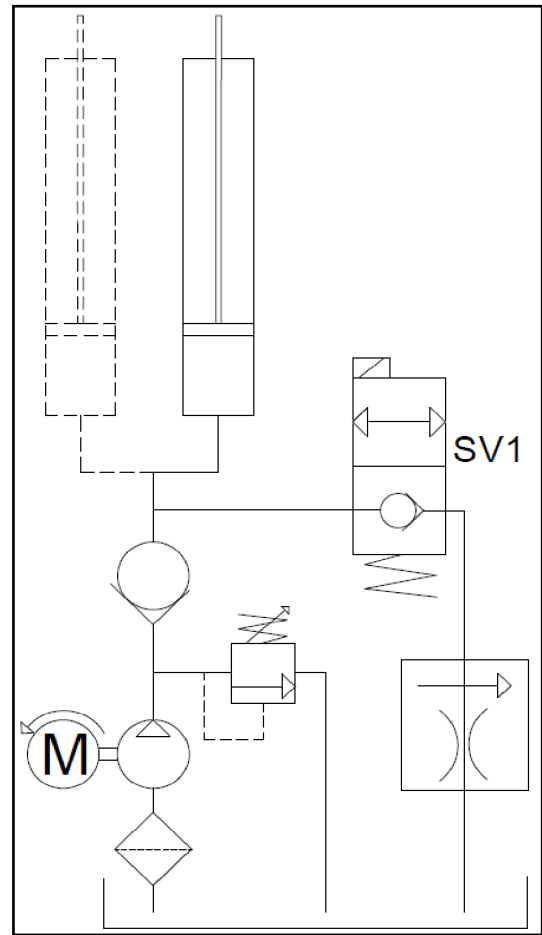
This diagram illustrates a sample (lift power up and gravity power down) Powerpack hydraulic circuit.

**NOTE:** Always refer to site documentation for installation specifics.

**TRUTH TABLE:**

ACTION	MOTOR	SV1
DECK UP	X	
DECK DOWN		X

VERTICAL TRAVEL (in)	CAPACITY (LB)	CYL. QTY.
36 & 48	2000	1
	4000	2

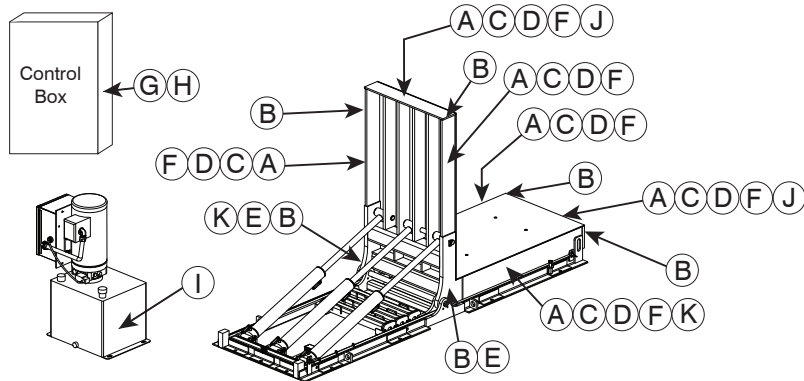
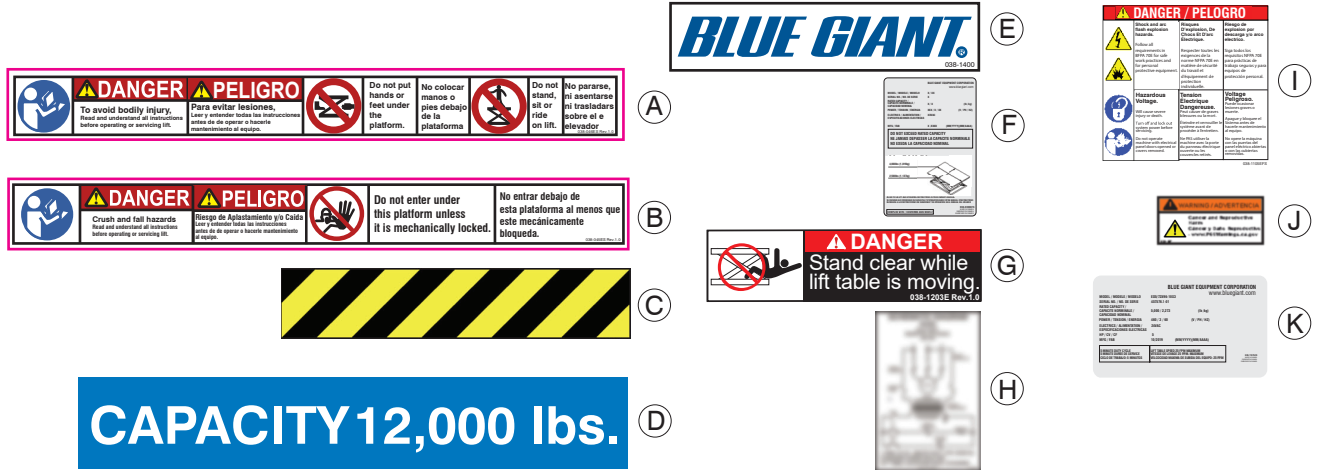


HYDRAULIC SCHEMATIC

### 3.0 DECAL IDENTIFICATION AND LOCATION

These labels inform operators and personnel about hazardous areas on and around the Lift Table.

**NOTE:** Actual product may not appear exactly as shown.



Call out	Qty	Part No.	Description
A	2 or 4 (varies on table size)	038-045	Warns personnel to read operating instructions before using the Lift Table and warn of possible bodily injury
		EF	
		ES	
B	2 or 4 (varies on table size)	038-046	Warns personnel to employ the Maintenance Strut and Service Stand before working on and under the Lift Table
		EF	
		ES	
C	4	038-237	Safety Stripe tape to alert personnel of hazardous areas and edges (i.e. toe guards, edges)
D	2	(varies on model)	Deck Capacity (example only) (locations may vary)
E	2	038-1400	Blue Giant logo (locations may vary)
F	2	038-1106EFS	Nameplate to identify the Lift Table, serial number, and load transfer capacities
G	1 or 2	038-1203	Warns personnel to stand clear of Lift Table and the immediate area while it is in operation
		E	
		S	
H	1	114-308	Wiring diagram for facility hookup (Keep in electrical box) (Sample only shown)
I	1	038-1105EFS	Reminds personnel to lock out the electrical feeds before attempting work on the Lift Table (on exterior of electrical box)
J	2	038-1097	Proposition 65 Cancer and Reproductive Harm Warning - California only (locations may vary)
K	1	038-1107EFS	Rated deck capacity and electrics (Located on Powerpack)

#### OPERATION PLACARD



# WARNING

## APPLIES TO BLUE GIANT SCISSOR LIFTS

Do not operate this scissor lift without proper training and authorization.

### READ AND UNDERSTAND THE FOLLOWING:

*The instructions and warnings on this placard and in the owner's manual.*

*The warnings on the scissor lift decals.*

Do NOT go under the scissor lift platform to clean or perform routine maintenance unless the Maintenance Strut and Service Stand are safely and securely engaged.

#### **Prior to using the scissor lift:**

- *Verify that all safety devices (guard rails, restraint chains, toe guards, and warning bells-if equipped) are in place and functioning properly.*

- *Operate the scissor lift through one complete lift / lower cycle and verify its proper operation. Inspect the scissor lift for signs of structural damage or mechanical malfunction. If damage is observed or the unit fails to operate properly, remove them from service and notify maintenance personnel immediately.*

Do NOT exceed the capacity as stated on the nameplate.

Ensure that the scissor lift serial nameplate is present and legible.

Do NOT leave the control station where it can be accidentally operated or damaged.

Be aware that lift capacity may be reduced when loads are rolled over the platform sides or edges. Refer to the nameplate for reduced capacity under these conditions.

If loads are mobile, secure them in a fixed position before operating the scissor lift.

Lift operator(s) must be present during all steps of operation.

Lift operator(s) must keep an unobstructed view of lift, any operation light/horn/bell, and other operators to ensure safe operation.

Ensure that all personnel near the scissor lift are aware that it is being operated.

Keep objects, control cables, spills, possible trip hazards, and debris away from around or under the scissor lift platform/lip and its travel path.

If the scissor lift is equipped with a hinged bridge(s), the bridge must overlap the trailer bed by a minimum of 4" (102mm) before use. Do not use the bridge if it is supported solely by the lifting chain.

Hinged lips may drop unexpectedly, keep people and objects clear of the area immediately under or near the lip.

#### **If maintenance or service is required:**

- *Only authorized service personnel shall provide maintenance / service on the lift.*

- *Follow approved lockout procedures.*

- *Do NOT work on or under the lift without properly engaging the lift's maintenance strut. Blue Giant recommends the use of a secondary means (service stand) of securing the scissor lift while performing repairs under the deck.*

- *The lift shall not be modified or altered without written approval from an authorized Blue Giant representative.*

- *Maintain records of repairs and preventive maintenance reports.*









**BLUE GIANT**<sup>®</sup>  
BLUE GIANT EQUIPMENT CORPORATION

**Corporate** 410 Admiral Blvd  
Mississauga, ON, Canada L5T 2N6  
t 905.457.3900 f 905.457.2313

**USA** 6350 Burnt Poplar Road  
Greensboro, NC 27409  
[www.bluegiant.com](http://www.bluegiant.com)