

PARTS LIST

AIRBAG DOCK LEVELER



ACTUAL PRODUCT MAY NOT APPEAR EXACTLY AS SHOWN

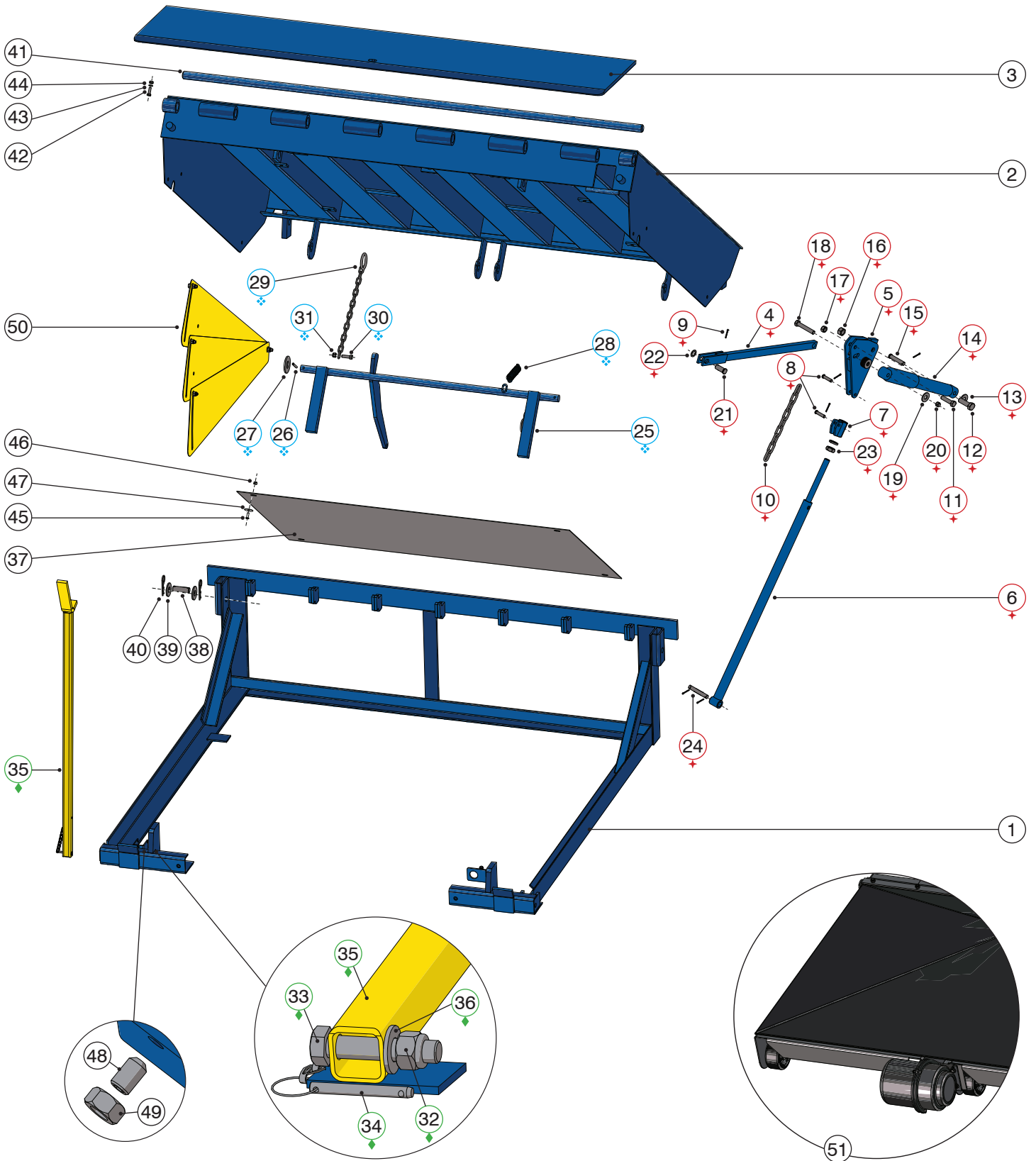


WARNING

Do not operate or service this product unless you have read and fully understand the entire contents of this manual. Failure to do so may result in property damage, bodily injury or death.

BLUE GIANT[®]

MECHANICAL ASSEMBLY



MECHANICAL ASSEMBLY CONT'D.

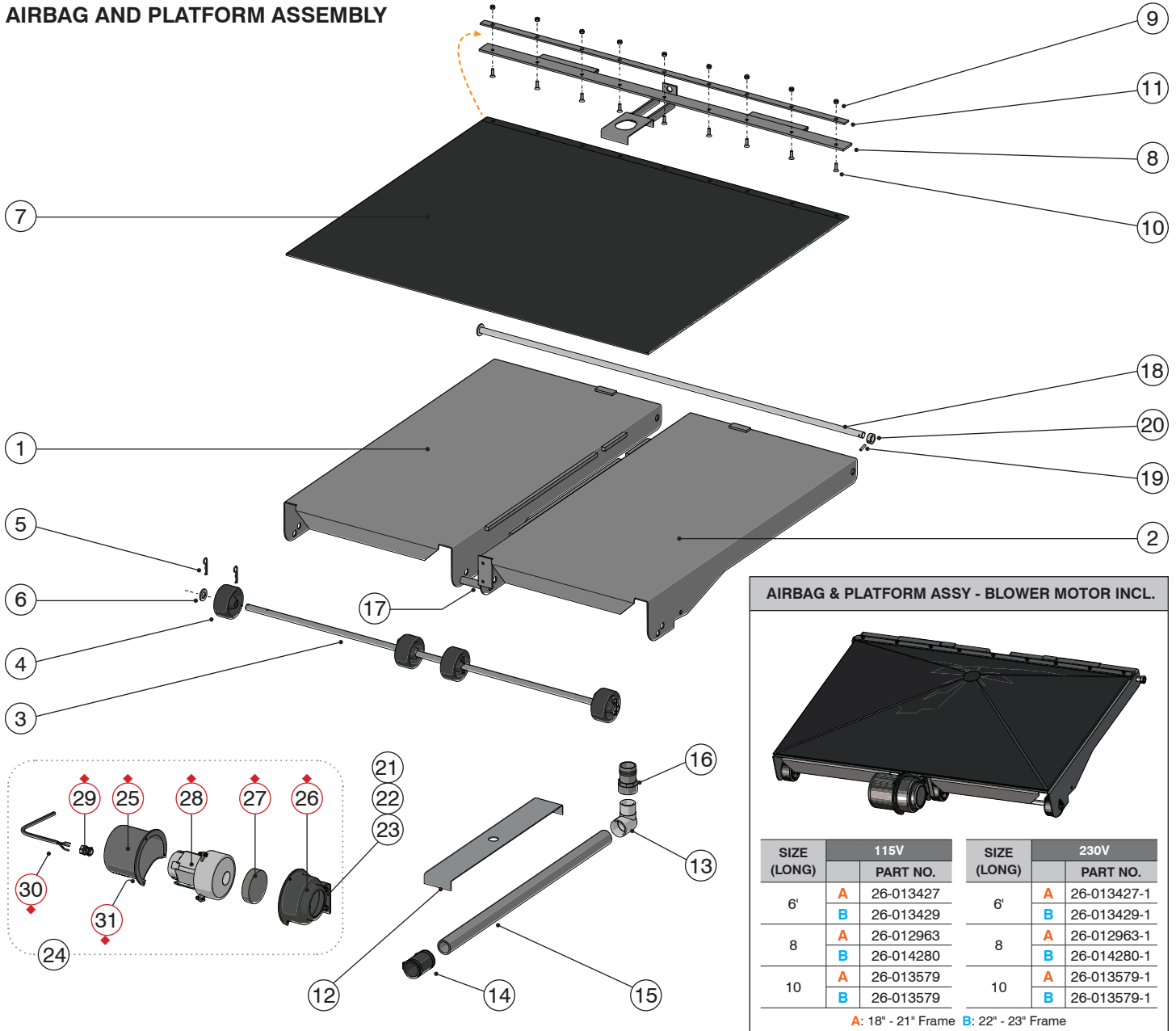
NOTE	DESCRIPTION	NOTE
+	Lip Deployment Assembly	Includes parts highlighted
❖	Fall Safe Legs Assembly	Includes parts highlighted

ITEM	QTY.	PART NO.	DESCRIPTION
1	1	See Section 12.6	Frame
2	1	See Section 12.4	Deck
3	1	See Section 12.5	Lip
+	4	1	26-011298 Push Rod
+	5	1	1001307 Link Plate Weldment w/ Shock 18-20" Lip
			1001307-1 Link Plate Weldment w/ Shock 16" Lip
+	6	1	26-011558 Lower Link Weldment
+	7	1	26-011555 Anchor Weldment
+	8	2	013-542 Clevis Pin
+	9	6	013-020 Cotter Pin
+	10	1	26-011305 Chain Assembly (6' L)
			26-011304 Chain Assembly (8' L)
			Chain Assembly (10' L)
+	11	1	011-032 HHCS 5/8" - 11 UNC x 2" GR.5
+	12	1	010-044 HHCS 1/2" - 13 UNC x 2"
+	13	1	012-679 Flat Spacer Washer 1/2"
+	14	1	200-02397 Shock Absorber
+	15	1	013-171 Clevis Pin 1/2" x 2 1/2"
+	16	1	011-621 Lock Nut 5/8" - 11 UNC
+	17	1	011-554 Nylon Insert Locknuts 1/2"-13 UNC
+	18	1	010-028 HHCS 1/2" - 13 UNC x 3"
+	19	9	012-212 Flat Washer 1/2"
+	20	2	011-552 Nylon Insert Locknuts 3/8" - 16 UNC
+	21	1	013-543 Clevis Pin 5/8" x 1-1/2"
+	22	1	012-275 Flat Spacer Washer (U.S.)
+	23A	1	011-530 Hex Jam Nut 3/4" - 10 UNC
+	23B	1	012-222 Locknut 3/4"
+	24	1	26-011551 Pin 5/8" x 3-1/2"
❖	25	1	26-011389 Fall Safe Legs (6' L, 8' L - 19" Frame)
			26-011389-1 Fall Safe Legs (10' L - 19" Frame)
❖	26	2	013-012 Spring Pin 1/4" x 2"

NOTE	DESCRIPTION	NOTE
◆	Maintenance Stand Assembly	Includes parts highlighted

ITEM	QTY.	PART NO.	DESCRIPTION
❖	27	1	012-250 Washer Flat USS 1-1/16"
❖	28	1	017-012 Tension Spring 4 1/2" L
❖	29	1	788-197-1 Pull Chain
❖	30	1	010-077 Cap Screw 3/8" - 16 x 1-1/4" HH GR.2
❖	31	1	011-552 Nylon Insert Locknuts 3/8" - 16 UNC
◆	32	1	011-554 Nylon Insert Locknuts 1/2" - 13 UNC
◆	33	1	010-027 HHCS 1/2" - 13 UNC x 2-1/2"
◆	34	1	013-510 Pin and Key Ring 1/4" x 1.8"
◆	35	1	26-011895-1 Safety Strut
◆	36	1	012-679 Washer Flat SAE 1/2 ZP
37	1	26-011308-1	Top Plate (6' L)
		26-011308	Top Plate (8' L)
		26-011308-2	Top Plate (10' L)
38	2	26-005610	Pin (Rear Fixed Hinge) 3/4" x 2-1/2"
39	4	012-214	Washer Flat USS 3/4"
40	4	013-029	Hairpin Cotter
41	1	109-699	Shaft (6' W)
		109-687-1	Shaft (6' 6" W)
		109-690	Shaft (7' W)
42	2	010-006	Cap Screw 5/16-18 x 1 HH GR.5 ZN
43	2	012-200	Regular Spring Lock Washers 5/16" (U.S.)
44	2	011-502	Hex Nuts 5/16"-18 (U.S.)
45	4	011-020	Philip Head Cap Screw 1/4"-20 x 3/4"
46	4	011-545	Nylon Insert Locknuts 1/4"-20NC
47	4	012-209	Washer Fender 1/4"
48	1	014-016	Setscrew Socket HD 5/16"-24 x 1/2"
49	1	011-518	Nuts Hex 5/16"-24 Plated
50	2	26-013420	Safety Skirt Package (6' L)
		26-013332	Safety Skirt Package (8' L)
		26-013571	Safety Skirt Package (10' L)
51	1	See Section 12.3	Air Bag and Platform Assembly

AIRBAG AND PLATFORM ASSEMBLY



AIRBAG & PLATFORM ASSY - BLOWER MOTOR INCL.

SIZE (LONG)	115V		230V		
		PART NO.	SIZE (LONG)	PART NO.	
6'	A	26-013427	6'	A	26-013427-1
	B	26-013429		B	26-013429-1
8	A	26-012963	8	A	26-012963-1
	B	26-014280		B	26-014280-1
10	A	26-013579	10	A	26-013579-1
	B	26-013579		B	26-013579-1

A: 18" - 21" Frame B: 22" - 23" Frame

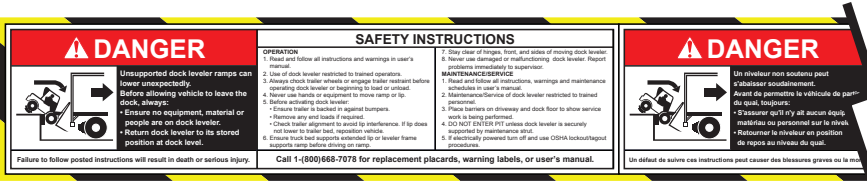
ITEM	QTY.	PART NO.	DESCRIPTION
1	1	26-013425-1	6' L
		26-013001-1	LH Platform
		26-013577	8' L
2	1	26-013426-1	6' L
		26-013002-1	RH Platform
		26-013578	8' L
3	1	26-011266-1	Wheels Axis
4	4	020-018	Wheel
5	6	013-028	Hairpin Cotter
6	2	012-266	Washer Flat SAE 3/4" ZP
7	1	26-013413	6' L
		26-012962	Air Bag
		26-013389	8' L
8	1	26-012961	Hook Plate
9	9	011-543	Nylon Insert Locknuts 5/16-18
10	9	011-042	Capscrew Hex Socket 5/16-18x1"

ITEM	QTY.	PART NO.	DESCRIPTION
11	1	26-011267	Airbag Clamp Bar
12	1	26-012978-2	6' L
		26-012978-1	Connector Reinforce Bracket
		26-012978-3	8' L
13	1	035-096	Elbow Fitting w/Barb
14	1	26-004820	Flex Pipe Coupling
15	1	091-958-0254	6' L
		091-958-0370	Pipe
		091-958-0440	8' L
16	2	011-545	1/4 - 20 Nylon Nut
17	1	090-385-0040	Tube
18	1	26-013333	Rear Hinge Pin
19	1	013-009	Spring Pin 1/4" D x 1" L
20	1	26-013415	Collar
21	2	010-001	Cap Screw 1/4-20 x 1 HH
22	2	012-210	Washer Flat USS 1/4 ZP

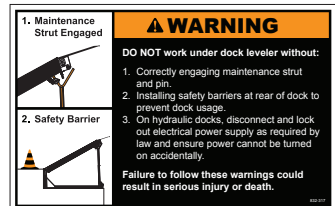
ITEM	QTY.	PART NO.	DESCRIPTION
23	2	011-545	Nylon Insert Locknuts 1/4" - 20NC
24	1	26-012925	Blower Motor Assy 115V / 1PH / 60Hz
	1	26-012925-1	Blower Motor Assy 230V / 1PH / 60Hz
ITEM # 24 INCLUDES PARTS LISTED BELOW: ♦			
♦	25	1	26-013411 L Cover
♦	26	1	26-013412-1 R Cover
♦	27	1	035-210 Filter
♦	28	1	031-033 Motor 115V
			031-034 Motor 230V
♦	28	1	090-T12-2 Ground Wire Assy ¹
			010-219 Head Cap Screw ¹
♦	29	1	025-015 Cable Gland
♦	30	1	091-409-1200 3/C-14 AWG Cable
♦	31	3	011-545 Nylon Insert Locknuts ¹

¹ = Not visible on drawing

DECAL IDENTIFICATION AND LOCATION

1 

2 

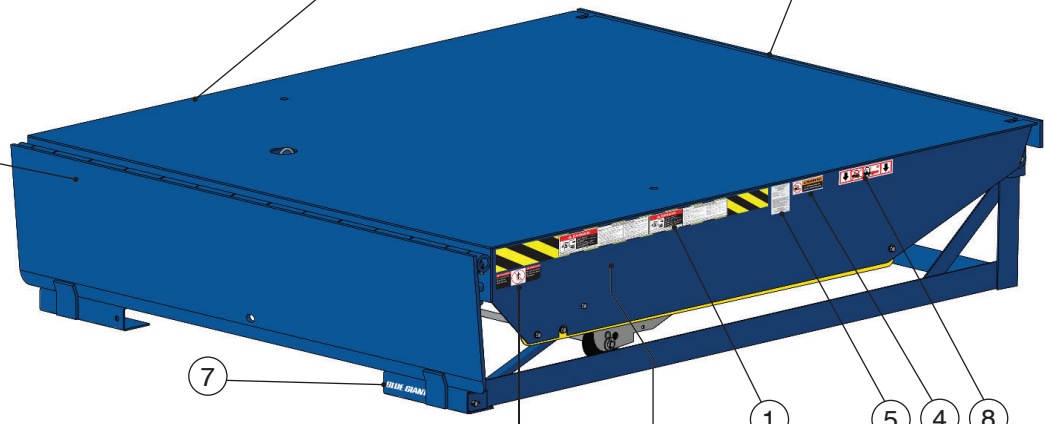
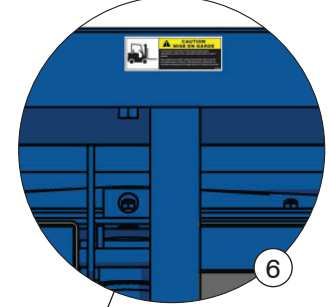
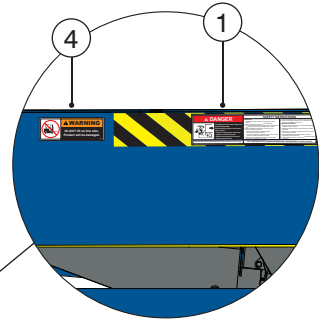
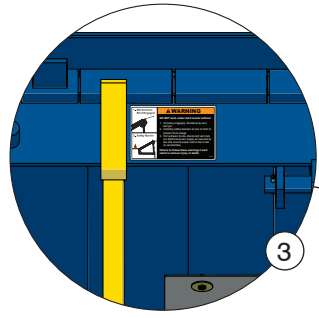
3 

4 

6 

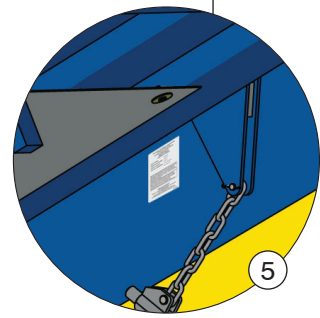
7 

8 



ITEM	QTY	PART NO.	DESCRIPTION
1	2	038-226	EF ES Danger Decal - Safety Instructions
2	2	038-220	EF ES Danger Decal - Do Not Walk on Lip
3	1	832-317	Warning Decal - Maintenance Strut
4	1	038-096	Warning Decal - Do Not Lift on This Side
5	2	108-120	EF ES Serial Plate Decal
6	1	038-098	EF ES Lift Caution Decal
7	1	038-017E	Blue Giant Logo Decal
8	1	038-1047E	Warning Decal - Do Not Lift

EF = English / French | ES = English / Spanish



BLUE GIANT EQUIPMENT CORPORATION
 www.BlueGiant.com
 MADE IN CANADA

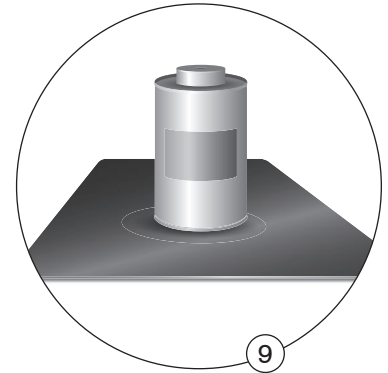
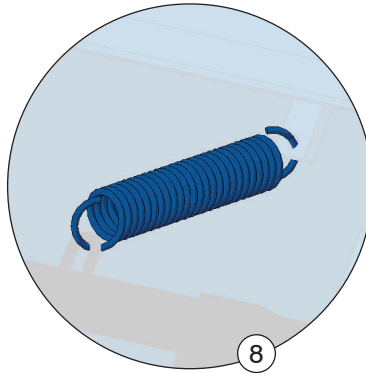
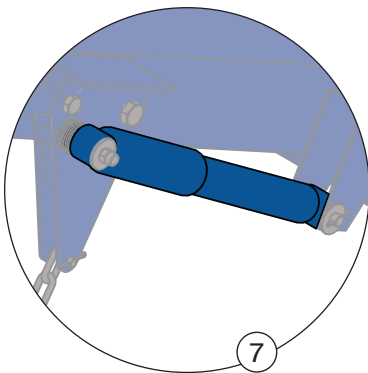
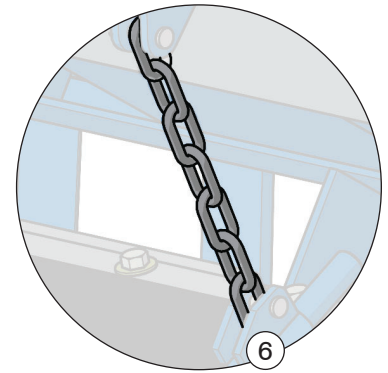
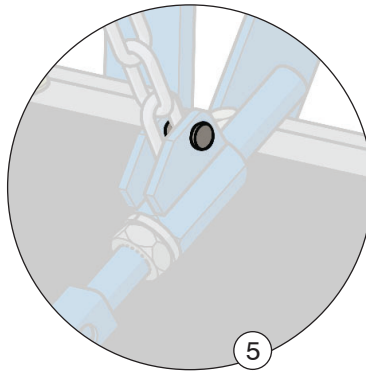
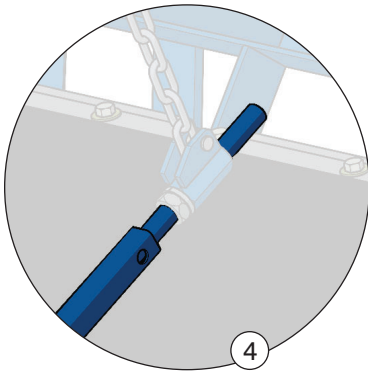
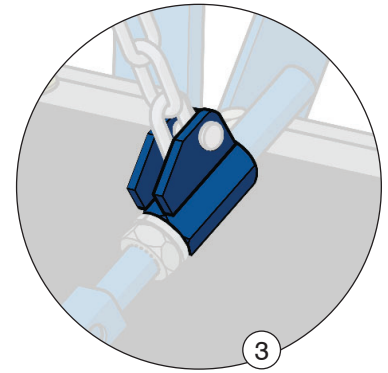
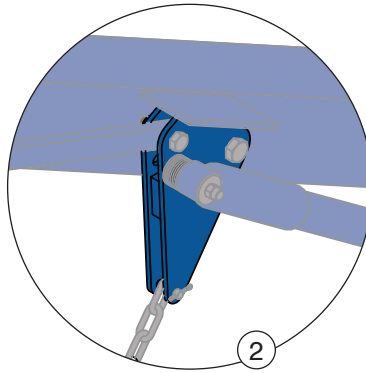
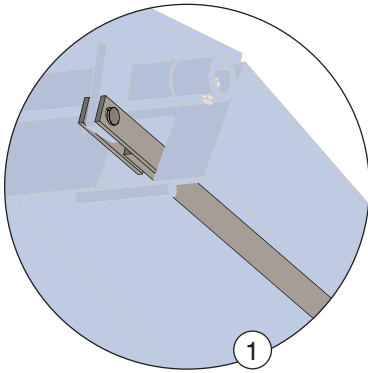
MODEL: AB800R-30
 SERIAL NO.: 398760-01
 CAPACITY: 30,000 LBS / 13,636 KGS
 ELECTRICS: 115V / 1PH / 60HZ
 FALL SAFE CAP: 03/2015 (MM/YYYY)

MODIFICATIONS AND ADDITIONS WHICH AFFECT CAPACITY AND SAFE OPERATION SHALL NOT BE PERFORMED BY THE CUSTOMER OR USER WITHOUT THE MANUFACTURER'S PRIOR WRITTEN APPROVAL. CAPACITY, OPERATION AND MAINTENANCE INSTRUCTION PLATES, TAGS OR DECAL BE CHANGED ACCORDINGLY.

COMPLIES WITH ANSI MH33.1
 "REFER TO SAFETY AND OPERATING INSTRUCTIONS IN YOUR OWNERS MANUAL"

109-123E

RECOMMENDED SPARE PARTS – STANDARD OPERATIONAL COMPONENTS

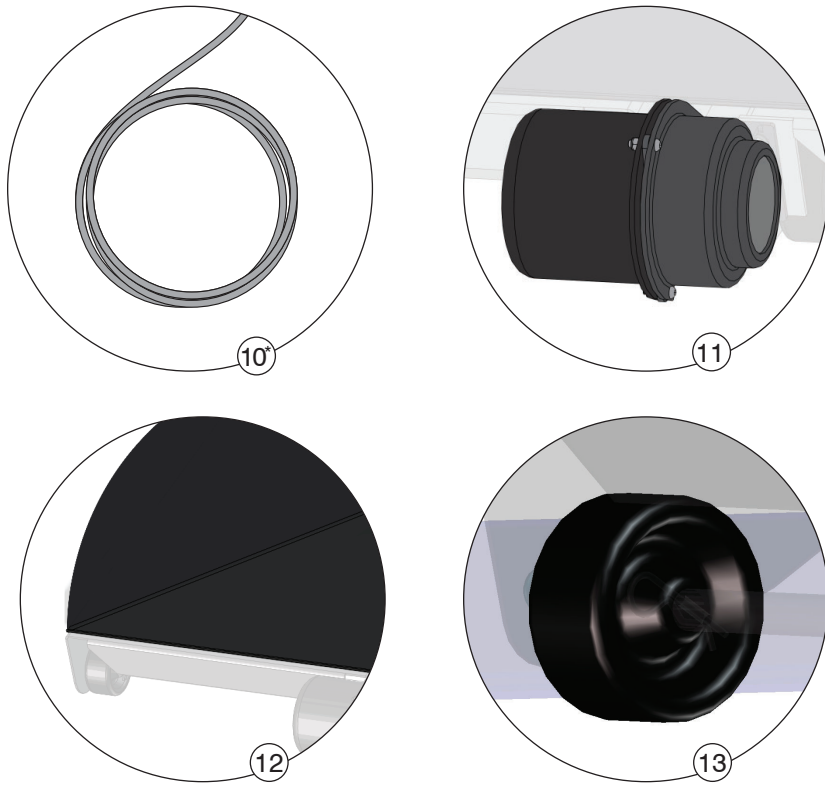


RECOMMENDED SPARE PARTS

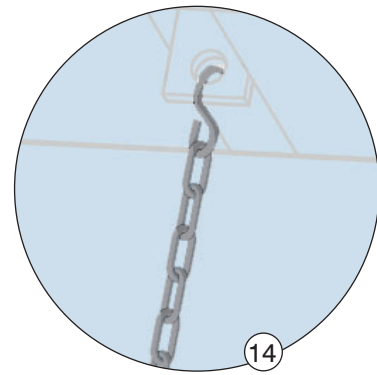
REPLACEMENT PARTS AIRBAG DOCK LEVELER			
ITEM	PART NO.	DESCRIPTION	QTY REQ'D
1	26-011298	Push Rod, Lip Deploy	1
2	26-011300	Link Plate, Lip Deploy	1
3	26-011555	Lip Deploy	1
4	26-011558	Lower Link Weldment	1
5	013-542	Pin 3/8" Dia. x 1-3/8", Lip Deploy	2

REPLACEMENT PARTS AIRBAG DOCK LEVELER			
ITEM	PART NO.	DESCRIPTION	QTY REQ'D
6	26-011305	Chain Assembly (6' L)	1
	26-011304	Chain Assembly (8 & 10') L	1
7	200-02397	Shock Absorber	1
8	071-012	Tension Spring, Fall-Safe	1
9	080-900-1	Patch Kit (includes 1 pc of 60" x 36" vinyl and glue)	1

RECOMMENDED SPARE PARTS CONT'D.



OPTIONAL SUPPORT COMPONENTS



RECOMMENDED SPARE PARTS

REPLACEMENT PARTS FOR AIRBAG DOCK LEVELER			
ITEM	PART NO.	DESCRIPTION	QTY REQ'D
10	R2-40026-1200	Power Cable - 10' L (* Optional)	1
11	Blower Motor (1PH / 60Hz) Only		1
	26-012925	115V See Section 12.3 for breakdown of parts included	
	26-012925-1	230V	
12	26-013413	Airbag	6' L
	26-012962		8' L
	26-013389		10' L
13	020-015	Polypropylene Wheel	4

OPTIONAL SUPPORT COMPONENTS

OPTIONAL SUPPORT COMPONENTS FOR AIRBAG DOCK LEVELER			
ITEM	PART NO.	DESCRIPTION	QTY REQ'D
14	26-011563	Maintenance Holder for Tray and Bag	1

BLUE GIANT[®]
BLUE GIANT EQUIPMENT CORPORATION

Corporate 410 Admiral Blvd
Mississauga, ON, Canada L5T 2N6
t 905.457.3900 f 905.457.2313

USA 6350 Burnt Poplar Road
Greensboro, NC 27409
www.bluegiant.com