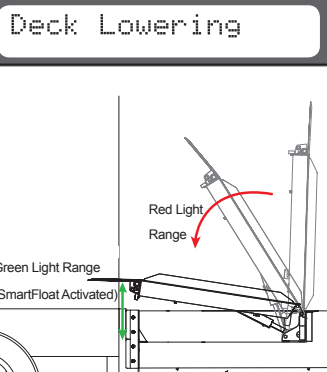
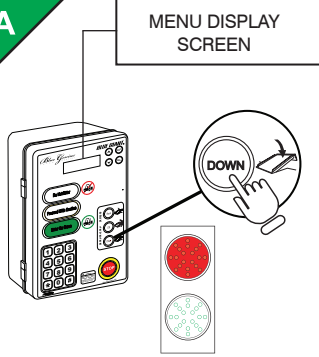


OPERATING INSTRUCTIONS

Only for the VL Vertical Storing Dock Leveler with Blue Genius™ Touch Control

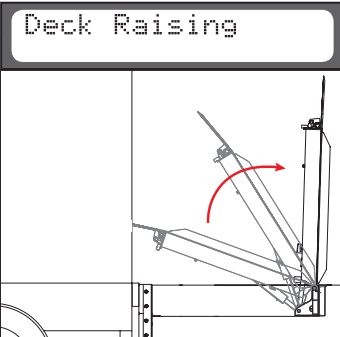
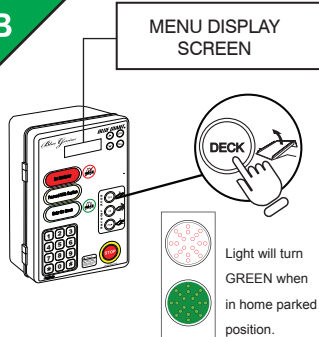
A



DEPLOYING THE DOCK LEVELER

1. Touch and hold the **'DOWN'** button. The menu screen will read 'Deck Lowering.' The control station light is RED and the exterior traffic light (if equipped) turns from GREEN to RED. If performing Below Level/ End Loading, begin step C now.
2. Continue holding the **'DOWN'** button until the lip makes full contact with truck bed. Release the button. The menu screen will read 'Deck Deployed.' The control station light will turn GREEN when in working range while the exterior traffic light remains RED.
3. Loading/unloading may now begin. Ensure that the full width of the lip overlaps the truck bed a minimum of 4" (102 mm) for full support.

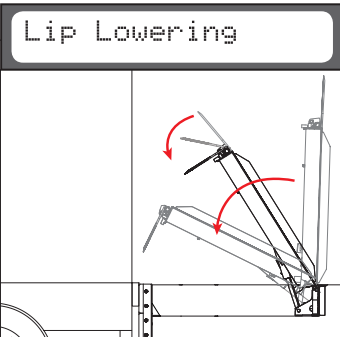
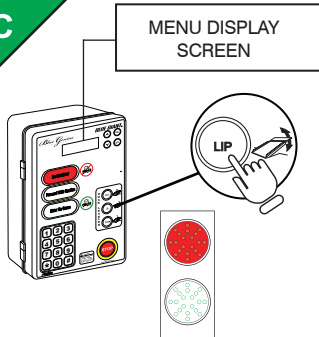
B



RETURNING THE DOCK LEVELER TO HOME POSITION

1. To return the dock leveler to the home position, hold the **'DECK'** button until the deck and lip are fully raised (home position). The menu screen will read 'Deck Raising.' The control station light changes to RED and the exterior traffic light remains RED. When the dock has reached the home position, the exterior traffic light turns GREEN.

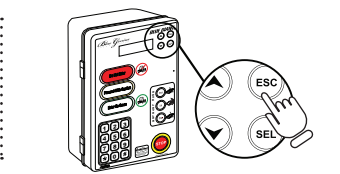
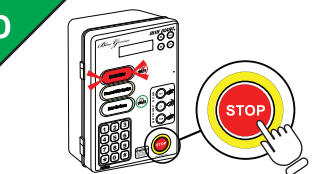
C



BELOW LEVEL / END LOADING

1. After completing Step A (1), touch and hold the **'LIP'** button. The menu screen will read 'Lip Lowering.' The control station light is RED, the exterior traffic light remains RED. Release the **'LIP'** button when the lip reaches pendant position.

D



STOP BUTTON FUNCTION

1. Touching the **'STOP'** button during dock operation will cause the unit to stop in mid motion while the internal alarm will beep until the stop function is exited. The control station light will flash RED and the exterior traffic light will be RED. To exit the 'STOP' mode, touch **'ESC'** button.

⚠ DANGER

1. Only trained and authorized personnel may operate this dock leveler.
2. Read, understand, and follow the instructions on this document.
3. Prior to using the dock leveler:
 - Ensure that the dock leveler is free and clear of all debris, snow and ice.
 - Ensure that all personnel near the dock leveler are aware that it is being operated.
 - Operate the dock leveler through one complete cycle to confirm that it is functioning properly. If the dock leveler is equipped with a communications package, confirm that the lights are working as required.
 - Inspect unit for signs of structural damage or mechanical malfunction. If damage is observed or the restraint fails to operate properly, remove it from service and notify maintenance personnel immediately.
4. When using the dock leveler:
 - Confirm that the transport vehicle has been properly restrained.
 - Keep hands and feet clear of pinch points.
 - If the dock leveler is equipped with a light communication package, load and unload on green only.
 - Do not exceed the rated capacity as indicated on the serial plate.
 - Do not leave equipment or material unattended on the dock leveler.
 - Keep a safe distance from both edges.
 - If dock leveler fails to operate as outlined in the accompanying manual's operating instructions, refer to the Troubleshooting section.
5. If service or maintenance is required:
 - Only authorized service personnel shall maintain or service the unit.

APPLIES TO ALL DOCK LEVELERS