

# OPERATOR'S MANUAL

## FPT HAND PALLET TRUCK



### **WARNING**

Do not operate or service this product unless you have read and fully understand the entire contents of this manual. Failure to do so may result in property damage, bodily injury or death.

***BLUE GIANT***®

ISSUE DATE: APRIL 3, 2014 REV.1 (PART # 038-671E)

# SAFETY PROCEDURES

## SAFETY PROCEDURES

- 1. Do not operate this truck unless you have been trained and authorized to do so.*
- 2. Do not operate this truck until you have read and understood all of the safety information and instructions contained herein and on the truck.*
- 3. Do not operate this truck until you have checked its condition. Give special attention to wheels, controls and lifting systems, including steering mechanism, guards and safety devices.*
- 4. Report the need for truck repairs to your supervisor immediately and do not operate truck until repairs are made. Neglect may cause a minor repair to become a major service problem and cause the truck to become unsafe.*
- 5. Do not load truck beyond capacity shown on serial name plate on truck.*
- 6. Do not lift with the fork tips or one fork only.*
- 7. This equipment is designed for evenly centered loads with forks completely supporting the load. Off-centering of loads can result in a dangerous operating condition and may cause damage or injury.*
- 8. Always look in direction of travel. Use caution when visibility is obstructed by load.*
- 9. Extreme caution must be used when handling loosely stacked/package loads.*
- 10. Watch swing clearance when turning near walls, racks, pillars or other obstacles.*
- 11. Start, stop, change direction and travel smoothly. Slow down for turns and on uneven or slippery surfaces that cause truck to slide or tip. Be aware that the truck behaves differently without a load than with a load.*
- 12. Observe applicable traffic regulations. Yield right of way to pedestrians.*
- 13. Do not ride on this equipment.*
- 14. Do not carry passengers or lift personnel.*
- 15. Before you leave the truck, fully lower lifting mechanism.*

## EXCLUSION OF LIABILITY

The manufacturer assumes no liability for damage or injury to persons or property which has occurred as a result of defects or faults in the hand pallet trucks delivered or due to incorrect use. The manufacturer also assumes no liability for lost profits, operating down times, or similar indirect losses which the buyer has incurred. Damage to third parties, irrespective of its nature, is not subject to compensation

The operating instructions are not subject to notification of amendment. The descriptions and illustrations included in our operating instructions and replacement parts list are not binding. In the interests of further development, we reserve the right to make any changes at any time to the modules, components and accessories which we deem to be expedient, or for technical reasons, while retaining the essential features of the models described here.

# TABLE OF CONTENTS

Safety .....	1
Table of Contents .....	2
Owner's Record of Purchase .....	2
Warranty .....	2
Check Shipment Notice .....	3
Loading Specification .....	3
Maximum Inclines Or Decline Grades .....	3
Safety With Tall Loads .....	3
Unit Specification .....	4
Assembly .....	5
Before Use .....	5
Operation Instructions .....	6
Service Checklist .....	7
Trouble Shooting .....	8
Parts Breakdown	
Handle Assembly Drawing .....	9
Handle Assembly Parts List.....	10
Frame Assembly Drawing .....	11
Frame Assembly Parts List.....	12
Pump Assembly Drawing .....	13
Pump Assembly Parts List.....	14-15

## WARRANTY

The guarantee includes material and assembly defects on parts which prove to be incorrect or inadequate for normal use when tested by the manufacturer and which are returned to the manufacturer free of charge within the guaranteed period of 12 months.

The guarantee expires if inappropriate or unadvised repair is undertaken by the user.

Blue Giant offers a full line of dock levelers, dock safety equipment, accessories, ergonomic and scissor lift equipment, and industrial trucks. Concurrent with our continuing product improvement program, specifications are subject to change without notice. Please contact Blue Giant for latest information. Some features illustrated may be optional in certain market areas.

## OWNER'S PURCHASE RECORD

Dealer:	Date in Service:
Owner:	Number of Units:
Order Number:	Year of Construction:
Serial Number(s):	

## **CHECK SHIPMENT BEFORE ASSEMBLY AND/OR USE**

The hand pallet truck is to be carefully checked at the manufacturer's plant before shipment. In order to ensure that no damage has occurred during transport, the hand pallet truck should be checked upon receipt for transport damage and to ensure correct operation. Damage due to transport is to be listed on the signed copy of the freight document. The freight forwarder must be notified of any damage within 48 hours. Damaged hand pallet trucks must not be put into use.

## **LOADING SPECIFICATION**

The hand pallet truck is designed for the horizontal transportation of loads on a level, fixed base. The load must be evenly distributed on pallets or similar receptacles. The ideal loading mode is that the gravity center of heavy goods is at the central position of the fork. The maximum load-carrying capacity is shown on the appropriate designation plate and on the load sticker on the hand pallet truck. When there exists defective load, the rated carrying capacity shall be reduced. If the load on the forks is one sided, there is a risk of the forks bending or the load slipping off. Supporting or shifting the load with the fork tips is to be avoided in all cases as this results in damage to the appliance. In order to preserve the wheels and chassis the hand pallet truck must not be driven over very uneven ground.

## **MAXIMUM INCLINES OR DECLINE GRADES**

The hand pallet truck is equipped with a permanently set pressure-limiting valve which permits a maximum load of 5 % of the nominal load. The screw plug on the pressure control valve is secured so as to avoid inappropriate manipulation from the operating personnel. In order to avoid damage to the goods being transported and the means of transport, the load must be supported evenly. If the load is unevenly distributed the pressure limiting valve will not function. When driving on down-grades the load is to be secured to prevent it from slipping or sliding off the hand pallet truck, (e.g. additional operating personnel). In addition to this, only hand pallet trucks with a service and parking brake are to be used on down-grades up to approx 6 %.

Journeys on inclines or down-grades of more than 6 % are always to be avoided. Safe transport cannot be guaranteed when the center of gravity of the load has altered.

## **SAFETY WITH TALL LOADS**

Transporting with tall loads, (e.g. machines), changes the center of gravity of the load so unfavorably that the complete hand pallet truck including the load, goes out of control and may overturn on a curve. Loading, (e.g. onto a truck or mobile loading ramps) should be regarded in particular as likely occasions for accidents. During such activities the hand pallet truck is to be secured with particular care.

Conveying persons or using the hand pallet truck as a form of roller skate is not permissible. Foodstuffs are only to be transported in packed form. Direct contact with the hand pallet truck is to be avoided.

The accident prevention regulations for industrial trucks and the safety regulations and accident prevention regulations applicable to the user are also to be complied with.

# FPT-55 SPECIFICATIONS

The following data must always be specified to ensure correct processing of your spare parts order:

- a) Truck type (capacity)
- b) Serial number of the truck
- c) Complete Part Number

## ASSEMBLY DRAWINGS:

Handle Assembly  
Frame Assembly  
Pump Assembly

### Weight:

180 lbs (81.6 kg)

### Capacity:

FPT-55  
5,500 lbs (2,300 kg)

**Fork length:** 48" (1,220 mm)

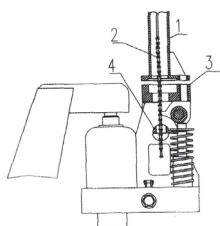
Please fill-in Owner's Purchase Record the following details:

- serial number(s)
- dealer name
- date in-service
- owner's name
- order number
- year of construction

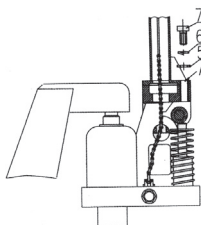
## ASSEMBLY INSTRUCTIONS:

Individual trucks are assembled and ready to use. Pallet trucks purchased in crate quantities (6 units to a crate) require some assembly. Tools Needed for Assembly • 5 mm / 8 mm Allen Key

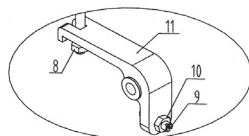
- 3.1 Remove cap screws (No. 7), flat washer (No. 5) and the spring washer (No. 6) on the pump bracket (No.3).
- 3.2 Align the holes at the base of the handle (No. 1) with the holes in the pump bracket (No. 3).
- 3.3 Install the flat washer (No. 5) and the spring washer (No. 6) on the head of the cap screws (No. 7). Use Allen Key to place the cap screws into the three holes (A) and tighten screws gradually and uniformly to attach the handle (No.1) and the pump bracket (No. 3).
- 3.4 Place the bolt and nut on the end of the chain (No. 2) into the grooved slot of the pump lever (No. 11).
- 3.5 The assembly is completed.



1.



2.



3.



## Before Use

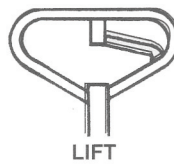
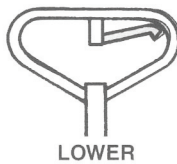
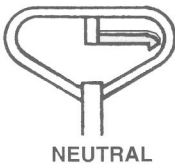
- 4.1 After finishing the assembly of the pallet truck, try to shake it and operate the unit in different positions using the hand lever, to see whether the lifting, neutral position and lowering the pallet truck operates properly.
- 4.2 The outer hexagonal nut (No. 10) at bolt location (No. 9) is used for locking, and must be loosened before any adjustment and must be tightened after adjustment. If the pallet truck is raised and the pallet truck immediately descends, turn screw bolt (No. 9) anticlockwise a little at a time and test the pallet truck until normal lifting has occurred. If the pallet truck cannot be lowered after lifting, turn screw bolt (No. 9) clockwise a little at a time and test the pallet truck until normal lowering has occurred. After adjustments lock outer hexagonal nut (No. 10) at bolt location (No. 9) back into place.

# OPERATING INSTRUCTIONS

## NOTES ON USE

There is a hand lever on the drawbar for raising and lowering the hand pallet truck. This can be moved into three positions:

- |                |  |
|----------------|--|
| Lift           | - lever down   |
| Drive position | - lever in neutral position when moving load (center position) |
| Lower          | - lever up, truck will lower at selected rate of speed         |



To pull the hand pallet truck, always move the hand lever into the drive position. This makes the drawbar easier to move and depressurizes the pump section of the hydraulics. This preserves the hydraulic seals and the valve components. A longer service life can be expected.

The hand pallet truck is largely maintenance-free. Only the oil level has to be checked and topped up if necessary. All bearings and shafts are provided with long-life grease at the factory.

All lubrication points marked (→) in the "chassis" replacement parts list are to be provided with long-life grease at monthly intervals or after each time the truck is cleaned thoroughly.

## NOTE

When the hand pallet truck is used under extreme conditions (e.g. extreme heat or cold, very dusty conditions etc.), the stipulated intervals are to be appropriately reduced.

## SERVICE CHECK LIST

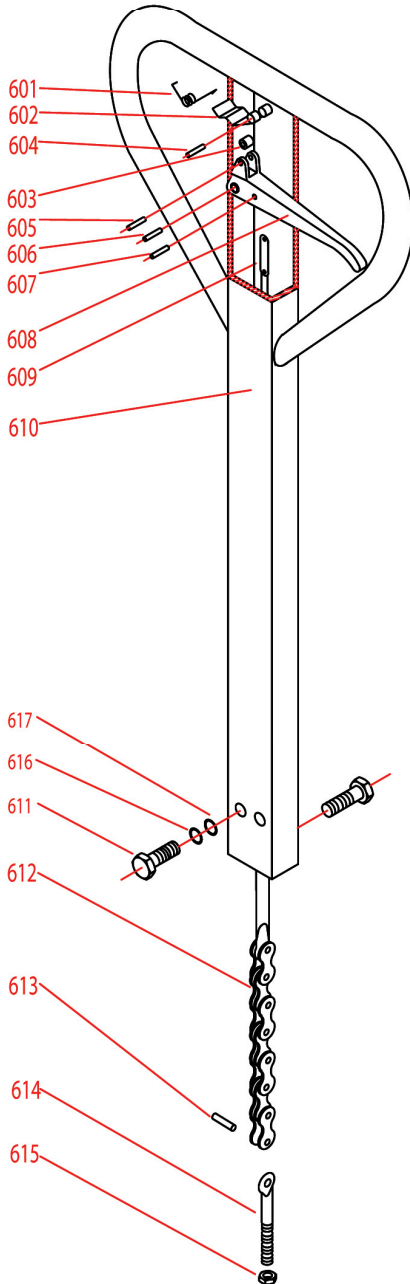
<b>OPERATION</b>	<p><b>A.</b> With control lever in lift position, pump the handle a few strokes to lift load.</p> <p><b>B.</b> Move control lever to neutral position to free handle of all pumping force.</p> <p><b>C.</b> To lower load, pull the lever until the load starts lowering or the selected lowering speed has been reached.</p>
<b>CHECKING OIL LEVEL</b>	With the truck in the lowered position on a level surface, remove filter screw, oil should be level with filler screw hole, if not add the proper oil. Check filler screw seal before replacing.
<b>RECOMMENDED HYDRAULIC OIL</b>	The hydraulic oil required for the hydraulic pump is roughly 0.5 pints (250 ml). The ISO oil quality standard is used. When the ambient temperature is -5° to 40°C, #32 oil is used; and when the ambient temperature is -35° to -5°C, the low temperature hydraulic oil is to be used.
<b>Maintenance</b>	Conduct routine inspection everyday to eliminate future problems from occurring. Do not use pallet trucks that are not working properly. Add motor oil to each rotating joint once every three months.



## TROUBLE SHOOTING GUIDE

CONDITION	CAUSE	ACTION
Insufficient lifting	A. Shortage of oil B. Air in pump	A. Add appropriate filtered working oil B. Set operation lever to lowering position and pump handle repeatedly
Pallet truck does not completely lower	A. Too much hydraulic oil has been added B. Rotating part is distorted and gets stuck	A. Pump off appropriate amount of hydraulic oil B. Replace parts
Pallet truck does not lower after lifting	A. The lowering device is abnormal B. Components are distorted and damaged	A. Re-adjust the lowering device. See Before Use 4.2 B. Replace required parts
Hydraulic oil leaks	A. The seal is damaged B. There is a slight breakage or abrasion on the surface of individual parts C. Loose joint	A. Replace the seal B. Replace the damaged parts C. Tighten loose joint
Pallet truck does not lift	A. Viscosity of hydraulic oil is too high or hydraulic oil level is too low B. Hydraulic oil is dirty C. The lowering device is abnormal	A. Replace the hydraulic oil B. Replace the hydraulic oil C. Re-adjust the lowering device. See Before Use 4.2.
Pallet truck lifts and then immediately descends when handle is pumped  The handle has relatively large resistance or the pallet truck automatically descends obviously after lifting.	The valve is stuck	Open the valve, take it out then clean the valve and parts. Reinstall valve and parts to their original position

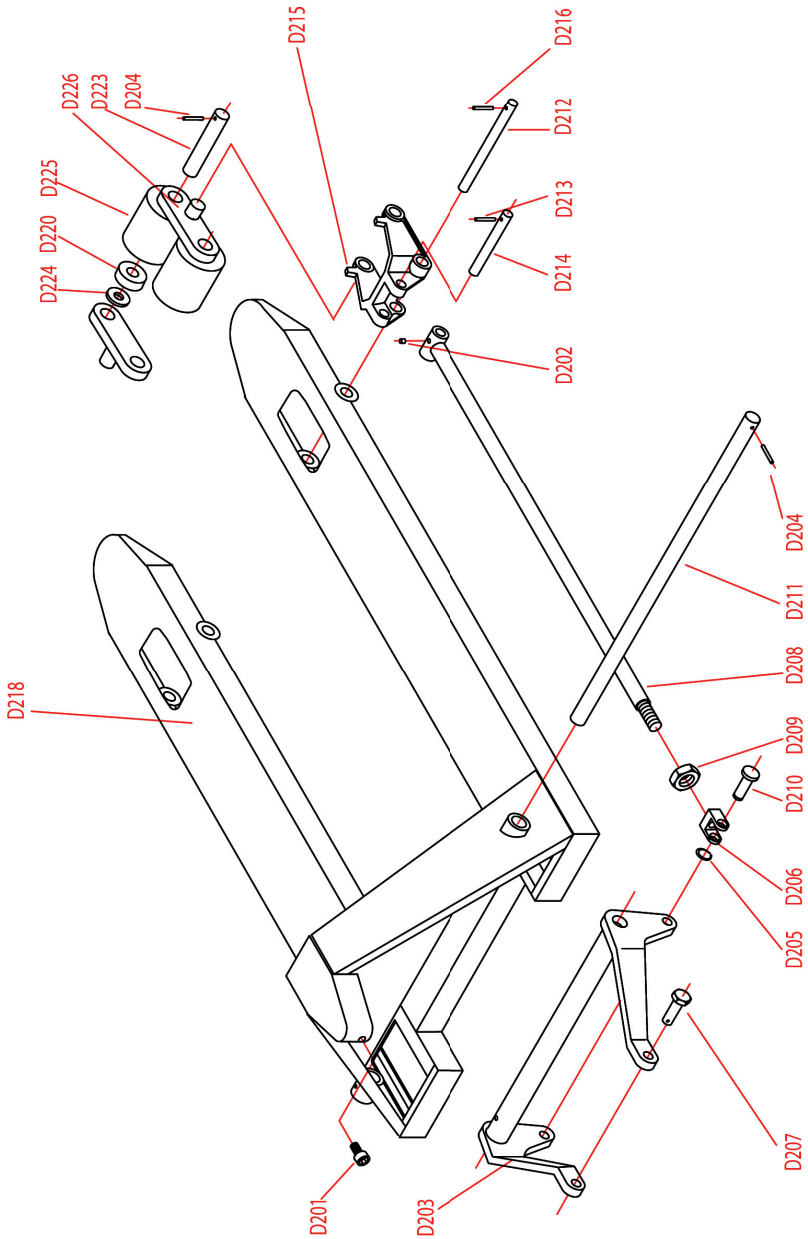
# HANDLE ASSEMBLY DRAWING



## HANDLE ASSEMBLY PARTS LIST

Drawing Reference Number	Blue Giant Part Number	Quantity Per Unit	Description
600	080-8F600	1	Handle Assembly
601	080-8F601	1	Spring
602	080-8F602	1	Blade Spring
603	080-8F603	1	Roller
604	080-8F604	1	Locking Pin
605	080-8F605	1	Locking Pin
606	080-8F606	1	Locking Pin
607	080-8F607	1	Locking Pin
608	080-8F608	1	Control Handle Lever
609	080-8F609	1	Control Handle Rod
612	080-8F612	1	Chain
613	080-8F613	1	Pin
614	080-8F614	1	Adjusting Screw
615	080-8F615	1	Nut
631	080-8F631	1	Handle Tube
632	080-8F632	3	Screw
633	080-8F633	3	Lock Washer

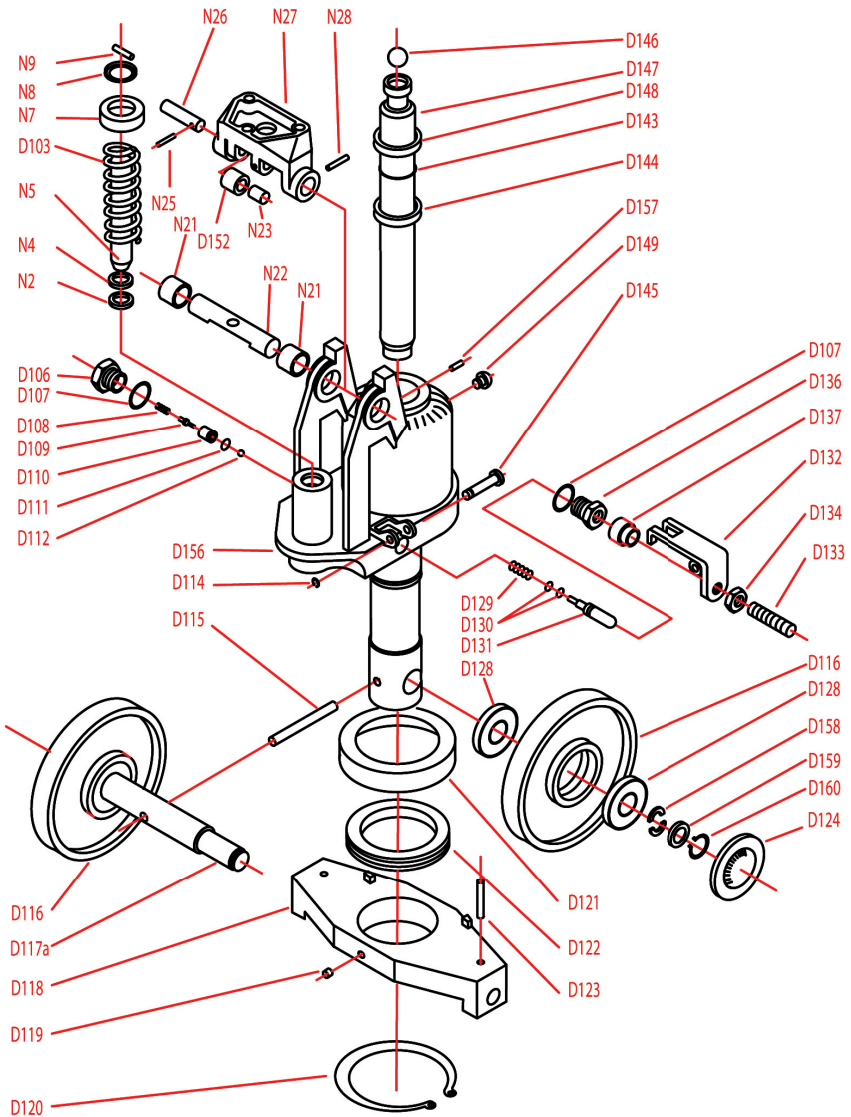
# FRAME ASSEMBLY DRAWING



## FRAME ASSEMBLY PARTS LIST

Drawing Reference Number	Blue Giant Part Number	Quantity Per Unit	Description
D201	080-8F201	1	Screw
D202	080-8F202	4	Grease Fitting
D203	080-8F203	1	Bell Crank
D204	080-8F204	9	Locking Pin
D205	080-8F205	2	Retaining Ring
D206	080-8F206	2	Joint
D207	080-8F207	2	Bell Crank Pin
D208	080-8F208	2	Push Rod
D209	080-8F209	2	Nut
D210	080-8F210	2	Pin
D211	080-8F211	1	Bell Crank Shaft
D212	080-8F212	2	Hanger Axle
D213	080-8F213	2	Locking Pin
D214	080-8F214	2	Push Rod Pin
D215	080-8F215	2	Hanger
D216	080-8F216	2	Locking Pin
D217	080-8F217	2	Roller Axle
D218	080-8F218	1	Frame
D219	080-8F219	4	Washer
D220	080-8F220	4	Bearing
D223	080-8F223	2	Tandem Roller Axle
D224	080-8F224	4	Tandem Washer
D225	080-8F225	2	Load Roller - Polyurethane
D225N	080-8F225N	2	Load Roller - Nylon
D226	080-8F226	4	Tandem Roller Arm

# PUMP ASSEMBLY DRAWING



## PUMP ASSEMBLY PARTS LIST

Drawing Reference Number	Blue Giant Part Number	Quantity Per Unit	Description
D227	080-SF227	1	Seal Kit
-----	080-8F228	1	Touch Up Paint
-----	080-8F0	1	Complete Pump Assembly
-----	080-8F1	1	Complete Handle Assembly
N2	080-8F2	1	V-Ring
N4	080-8F4	1	Dust Ring
N5	080-8F5	1	Pump Piston
N7	080-8F7	1	Cover
N8	080-8F8	1	Washer
N9	080-8F9	1	Pin
N21	080-8F21	2	Bushing
N22	080-8F22	1	Handle Pin
N23	080-8F22	1	Bushing
N25	080-8F25	1	Locking Pin
N26	080-8F26	1	Pin
N27	080-8F27	1	Handle Bracket
N28	080-8F28	1	Locking Pin
D103	080-8F103	1	Spring
D106	080-8F106	1	Screw Plug
D107	080-8F107	2	O-Ring
D108	080-8F108	1	Spring
D109	080-8F109	1	Damping Valve Spindle
D110	080-8F110	1	Damping Valve Seat
D111	080-8F111	1	O-Ring
D112	080-8F112	1	Steel Ball
D114	080-8F114	1	Retaining Ring
D115	080-8F115	1	Locking Pin
D116	080-SF116	2	Steer Wheel- Polyurethane

## PUMP ASSEMBLY PARTS LIST

Drawing Reference Number	Blue Giant Part Number	Quantity Per Unit	Description
D116N	080-8F116N	2	Steer Wheel- Nylon
D117a	080-8F117	1	Axle
D118	080-8F118	1	Thrust Plate
D119	080-8F119	1	Grease Fitting
D120	080-8F120	1	Retaining Ring
D121	080-8F121	1	Spacer
D122	080-8F122	1	Thrust Bearing
D123	080-8F123	2	Locking Pin
D124	080-SF124	2	Hub Cap
D125	080-8F125	2	Round Nut
D126	080-8F126	2	Tab Washer for Round Nut
D128	080-8F128	4	Bearing
D129	080-8F129	1	Spring
D130	080-8F130	2	O-Ring
D131	080-8F131	1	Release Valve
D132	080-8F132	1	Lever Plate
D133	080-8F133	1	Adjusting Screw
D134	080-8F134	1	Nut
D136	080-8F136	1	Axle Sleeve
D137	080-8F137	1	Housing
D143	080-8F143	1	O-Ring
D144	080-8F144	1	V-Ring
D145	080-8F145	1	Pin
D146	080-8F146	1	Steel Ball
D147	080-8F147	1	Piston Rod
D148	080-8F148	1	Seal
D149	080-8F149	1	Screw Plug
D152	080-8F152	1	Pressure Roller
D156	080-8F156	1	Pump Base
D157	080-8F157	2	Pin



# NOTES:

# NOTES:

# NOTES:

***BLUE GIANT***<sup>®</sup>  
BLUE GIANT EQUIPMENT CORPORATION

**Corporate** 85 Heart Lake Road South  
Brampton, ON, Canada L6W 3K2  
t 905.457.3900 f 905.457.2313

**USA** 6350 Burnt Poplar Road  
Greensboro, NC 27409  
[www.BlueGiant.com](http://www.BlueGiant.com)