

# OWNER'S MANUAL

## MECHANICAL HOLD-DOWN KIT



ACTUAL PRODUCT MAY NOT APPEAR EXACTLY AS SHOWN



### WARNING

Do not operate or service this product unless you have read and fully understand the entire contents of this manual. Failure to do so may result in property damage, bodily injury, or death.

**BLUE GIANT**<sup>®</sup>

**TABLE OF CONTENTS**

<b>1.0 ABOUT THE MECHANICAL HOLD-DOWN KIT</b>	<b>3</b>
1.1 OWNER'S PURCHASE RECORD	3
<b>2.0 INTRODUCTION</b>	<b>4</b>
2.1 WARRANTY INFORMATION	4
2.2 EXCLUSION OF LIABILITY	4
2.3 MANUFACTURER'S NOTE	4
<b>3.0 SAFETY MESSAGE COLOR IDENTIFICATION</b>	<b>5</b>
3.1 OPERATIONAL SAFETY WARNINGS	5
<b>4.0 LOCKOUT / TAGOUT PROCEDURE AND RULES</b>	<b>6</b>
<b>5.0 DOCK STRUT (OR EQUIVALENT) SET-UP</b>	<b>7</b>
5.1 ENGAGING THE DOCK STRUT (OR EQUIVALENT)	7
5.2 DISENGAGING THE DOCK STRUT (OR EQUIVALENT)	7
<b>6.0 MAINTENANCE</b>	<b>8</b>
6.1 PLANNED MAINTENANCE PROGRAM (PMP)	8
6.2 OPERATOR DAILY INSPECTION	8
6.3 ROUTINE SERVICING AND MAINTENANCE	8
6.4 PLANNED MAINTENANCE PROGRAM INTERVALS	8
6.5 MAINTENANCE SEQUENCE	8
6.6 DAILY MAINTENANCE PROCEDURES (DMP) CHECKLIST - MECHANICAL HOLD-DOWN KIT	9
<b>7.0 OPERATING INSTRUCTIONS</b>	<b>10</b>
7.1 FUNCTIONAL DESCRIPTION	10
7.2 OPERATING THE MECHANICAL HOLD-DOWN	11
<b>8.0 RECOMMENDED SPARE PARTS - RATCHET HOLD-DOWN ASSEMBLY</b>	<b>12</b>
<b>9.0 DECAL IDENTIFICATION AND LOCATION</b>	<b>13</b>
<b>10.0 COMPONENTS AS SHIPPED CHECKLIST</b>	<b>14</b>
<b>11.0 MECHANICAL HOLD-DOWN KIT ASSEMBLY</b>	<b>15</b>
<b>12.0 EASY-PULL ASSEMBLY</b>	<b>16</b>
<b>13.0 DOCK LEVELER TROUBLESHOOTING</b>	<b>17</b>

## 1.0 ABOUT THE MECHANICAL HOLD-DOWN KIT

The Blue Giant Mechanical Hold-Down Kit is a high performance yet easy to operate system. No manual lifting is involved: simply pull the hold-down release ring to activate the hold-down system and the deck will move upward. Let go of the hold-down release ring and the deck will come to a stop.

The deck is held in place by a precision-milled steel ratchet type mechanical hold-down system that provides superior locking capabilities.

## 1.1 OWNER'S PURCHASE RECORD

### OWNER'S PURCHASE RECORD

Please record information for future inquiries and to validate warranty. (See Section 2.1 "Warranty Information" for warranty validation)

<b>Dealer:</b>	<b>Date in Service:</b>
	<b>Number of Units:</b>
<b>Serial Number:</b>	<b>Door #:</b>
<b>Serial Number:</b>	<b>Door #:</b>
<b>Serial Number:</b>	<b>Door #:</b>
<b>Serial Number:</b>	<b>Door #:</b>
<b>Serial Number:</b>	<b>Door #:</b>
<b>Serial Number:</b>	<b>Door #:</b>
<b>Serial Number:</b>	<b>Door #:</b>
<b>Serial Number:</b>	<b>Door #:</b>
<b>Serial Number:</b>	<b>Door #:</b>
<b>Serial Number:</b>	<b>Door #:</b>

The manufacturer offers a full line of dock levelers, dock safety equipment, accessories, ergonomic and scissor lift equipment, seals and shelters, and industrial trucks. Concurrent with a continuing product improvement program, specifications are subject to change without notice (See Section 2.2 "Exclusion of Liability" of this manual). Please contact the manufacturer for latest information. Some features illustrated may be optional in certain market areas.

## 2.0 INTRODUCTION

The following is a quick reference to important procedures that must be followed while using the Loading Dock Equipment. It is not intended to cover, or suggest that it does cover, all procedures necessary to ensure safe operation. All operators should be aware of and abide by all workplace safety regulations applicable to the operation of the Loading Dock. These laws and regulations include but are not limited to:

- The Occupational Safety and Health Act
- Canada Occupational Health and Safety Regulations
- Occupational Safety and Health Acts for Individual States (USA)

For additional information on these regulations as well as industry standards that may apply to this product, please contact:



American National Standards Institute (ANSI)  
1430 Broadway  
New York, NY 10018  
Telephone: 212.642.4900  
[www.ansi.org](http://www.ansi.org)

Also a member of:



Loading Dock Equipment Manufacturers  
A Product Section of Material Handling Industry of America  
A Division of Material Handling Industry  
8720 Red Oak Blvd, Suite 201  
Charlotte, NC, 28217-3992  
Telephone: 704.676.1190  
[www.mhi.org/lodem](http://www.mhi.org/lodem)

## 2.1 WARRANTY INFORMATION

Thank you for purchasing Blue Giant products. We appreciate your business, and are confident that our product will serve you for many years to come. In the event that you experience a problem with our product, our Warranty Center is here to support the Blue Giant Product(s) that you have purchased.

To validate warranty on recently purchased equipment, please complete and submit your information with our on-line Warranty Registration at [www.BlueGiant.com](http://www.BlueGiant.com).

For more information about Blue Giant Warranty Support, please contact your local Blue Giant Equipment dealer, representative or authorized partner near you. You may also visit [www.bluegiant.com](http://www.bluegiant.com) or phone 1.905.457.3900.

### DEALER INFORMATION

Name:

Contact:

Telephone:

\* **NOTE** that failure to validate warranty at the time of receipt can seriously affect the outcome of any claim.

## 2.2 EXCLUSION OF LIABILITY

The manufacturer assumes no liability for damage or injury to persons or property which occur as a result of defects or faults in or incorrect use of the Loading Dock Equipment. The manufacturer also assumes no liability for lost profits, operating downtimes, or similar indirect losses incurred by the purchaser. Injury to third parties, irrespective of its nature, is not subject to compensation.




The manufacturer reserves the right to make changes at any time to the modules, components, and accessories, concurrent with its continuing product improvements and development program. Specifications, operating instructions, and illustrations included in this manual are subject to change without notice. Please contact manufacturer for the latest information.

## 2.3 MANUFACTURER'S NOTE





The dock equipment has been carefully inspected and tested at the manufacturer's plant prior to shipment, but should be checked upon receipt for transport damage. Any observed transport damage is to be listed on the signed copy of the freight document. Notify the freight forwarder and manufacturer of any damage **WITHIN 48 HOURS**.

### 3.0 SAFETY MESSAGE COLOR IDENTIFICATION

This manual includes color-coded safety messages that clarify instructions and specify areas where potential hazard exists. To prevent the possibility of equipment damage and serious injury or death, please observe strictly the instructions and warnings contained in the messages. If warning decals become damaged or missing, replace them immediately. Avoid accidents by recognizing dangerous procedures or situations before they occur.

 <b>DANGER</b>	<b>NOTICE</b>
Serious injury or death will likely occur if the instructions are not followed.	Procedures marked notice must be followed in order to prevent damage to machinery.
 <b>WARNING</b>	 <b>CAUTION</b>
Serious injury or death may occur if the instructions are not followed.	Instructions marked caution concern safe operating procedure. Failure to comply may result in personal injury.


### 3.1 OPERATIONAL SAFETY WARNINGS

 <b>DANGER</b>	
<p><b>Keep hands and feet away from operating space of the restraint apparatus.</b></p> <p><b>CRUSH HAZARD</b></p> 	<ol style="list-style-type: none"> <li>1. Do not operate the dock equipment while anyone is standing in its path.</li> <li>2. Lift the dock equipment with suitable hoisting equipment only. Do not stand under the dock equipment or any heavy object while it is being hoisted.</li> <li>3. <b>BEFORE BEGINNING ANY SERVICE PROCEDURES:</b> Disconnect the power and follow all lockout / tagout procedures outlined in this manual.</li> </ol>
 <b>WARNING</b>	
<ol style="list-style-type: none"> <li>1. Installation must be performed only by trained and authorized personnel.</li> <li>2. Prior to installation, place adequate barriers to prevent vehicle traffic from entering the work area.</li> <li>3. During installation, anchors must be properly torqued to achieve the necessary anchoring strength. <b>DO NOT USE IMPACT DRIVERS.</b></li> <li>4. Any electrical work must be performed by qualified personnel only.</li> <li>5. Do not remove the wheel chocks until loading /unloading is finished and the truck is cleared for departure or the vehicle restraint has been released and the lights have changed to RED inside and GREEN outside.</li> </ol>	
<b>NOTICE</b>	
<ol style="list-style-type: none"> <li>1. Do not ground welding equipment to any electrical components.</li> <li>2. Do not allow the drill to go too deeply into the control box, as damage may occur to the control systems.</li> <li>3. Never use air to blow debris from the control box. Use a vacuum to perform any necessary cleaning.</li> <li>4. Do not connect green ground lead into control box or junction box until all welding has been completed.</li> <li>5. If an extension plate / box is required, securely mount it on the restraint with hardware provided before shimming and drilling.</li> <li>6. Improper adjustments and / or lubrication may cause operational problems with equipment.</li> <li>7. Check hydraulic fluid level.</li> <li>8. Do not force the valve adjustment screws against the internal stops.</li> </ol>	
 <b>CAUTION</b>	
<ol style="list-style-type: none"> <li>1. Only trained personnel should operate or service this equipment.</li> <li>2. Do not operate the dock equipment until the transport vehicle is parked against the dock bumpers.</li> <li>3. Always park the dock equipment after use (ensure that the lip is safely parked in the lip keepers).</li> <li>4. Conduct routine inspections and maintenance. Failure to do so could cause equipment damage and or personal injury.</li> <li>5. Always call your authorized service representative or manufacturer immediately if a malfunction occurs.</li> <li>6. Always return the restraint arm to the parked position after use.</li> </ol>	

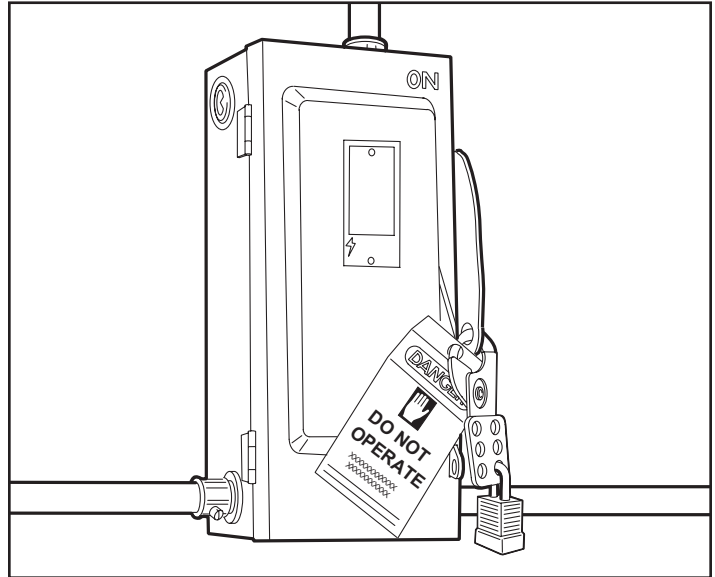
#### 4.0 LOCKOUT / TAGOUT PROCEDURE AND RULES

In accordance with the rules and regulations of the Occupational Safety and Health Administration (OSHA), all affected employees must be notified that the machine or equipment will be shut down and locked out to perform repair or maintenance work. The work area must be checked to ensure that all personnel have been removed or safely repositioned. The machine or equipment power supply shall be locked in the OFF position or disconnected from the energy source. Blue Giant strongly recommends that only OSHA-approved lockout devices and procedures be utilized.

The energy isolating device must bear a prominent warning tag indicating that work is being done on the equipment and the name of the authorized employee responsible for the lockout. It is mandatory that tagout notices not be susceptible to deterioration or illegibility due to weather conditions or exposure to chemicals and moisture.

 **WARNING**

Always lockout and tagout any power source before performing any work on any electrical devices or electrical controls according to OSHA regulations and approved local electrical codes.



Approved way to lockout / tagout.

## 5.0 DOCK STRUT (OR EQUIVALENT) SET-UP



### DANGER

Failure to properly secure the dock leveler deck prior to working underneath it may result in property damage, bodily injury, or death. Engage the Blue Giant service stand before the dock strut. If the dock strut cannot be successfully engaged, contact your authorized service representative.



### WARNING

Post safety warnings and barricade work area at dock and ground level. Notify all affected personnel that work is being performed on the unit and follow proper lock-out procedure. Ensure that power to the unit has been completely cut off and cannot be turned on accidentally.

## 5.1 ENGAGING THE DOCK STRUT (OR EQUIVALENT)



### WARNING

Head protection and other applicable PPE is recommended when working under or around the raised deck.



### WARNING

Use of a secondary service stand (Blue Giant Part #796-710) in conjunction with the dock strut (or equivalent) is required when working under the leveler.



### WARNING

Install dock strut (or equivalent) and secondary service stand only when the unit is fully raised and deployed.

Before beginning any work around or under the dock leveler, secure the dock in the fully raised position using first the Blue Giant service stand followed by the integral dock strut. For more information, refer to the documentation provided by the manufacturer of the dock leveler.

**NOTE:** Use of a service stand and hard hat while performing this step is required.

**NOTE:** It is recommended that this step be performed with assistance

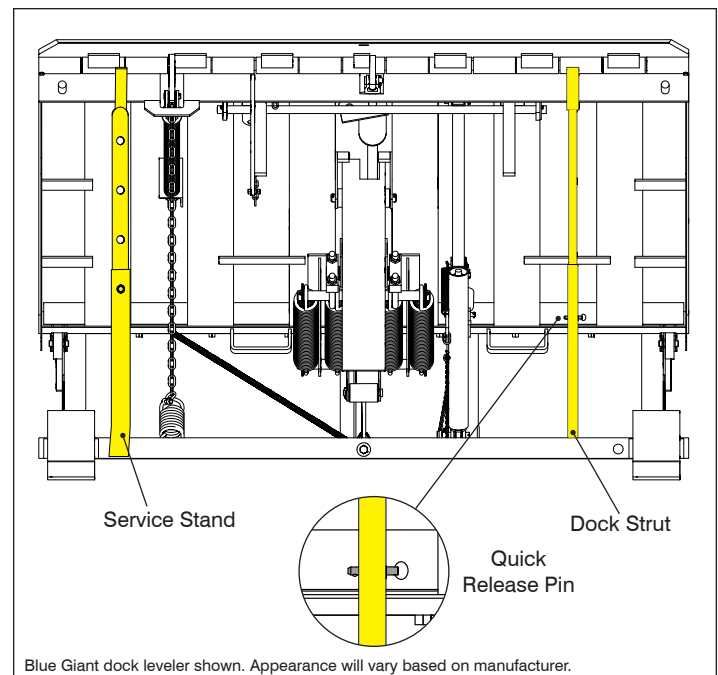
## 5.2 DISENGAGING THE DOCK STRUT (OR EQUIVALENT)



### WARNING

Before removing the service stand, verify that the lifting mechanism can fully support the deck load.

Disengage the dock strut (or equivalent) according to the documentation provided by the manufacturer of the dock leveler and then disengage the service stand.



Engaged pre-existing dock strut (or equivalent) and Blue Giant secondary service stand (part # 796-710).

## 6.0 MAINTENANCE



### WARNING

Do not operate and/or service this dock leveler until you have read and understood all of the safety information and instructions contained herein and on the dock leveler.

Do not work under or around dock leveler without first placing adequate barriers to positively prevent vehicle traffic from entering the work area.

Follow proper lock-out/tag-out procedures.

Keep hands and feet clear of dock leveler pinch points and wear appropriate safety attire – safety glasses, gloves and work boots.

The dock strut and safety stand must be securely in place before commencing maintenance procedures.

### 6.1 PLANNED MAINTENANCE PROGRAM (PMP)

In addition to the Daily Maintenance Procedures (DMP), the manufacturer recommends (and local government regulations may require) that a Planned Maintenance Program (PMP) and safety inspection program be performed by a trained and authorized service technician on a regular basis to ensure the equipment is in safe operating condition. The PMP will provide an opportunity to make a thorough inspection of the safety and operating condition of the dock leveler. Necessary adjustments and repairs can be done during the PMP, which will increase the life of components and reduce unscheduled downtime.

Recommended procedures for a periodic planned maintenance program that covers inspections, operational checks, cleaning, lubrication, and minor adjustments are outlined in the Installation and Technical manual for this product.

An authorized dealer or distributor is prepared to assist with a planned maintenance program by offering BGU certified service personnel with expertise in dock leveler maintenance requirements.

### 6.2 OPERATOR DAILY INSPECTION

The dock leveler should always be examined by the operator PRIOR TO ANY USE to verify that it is safe to operate.

The manufacturer recommends making multiple photocopies of the DMP Checklist (See Section 6.6). The operator should fill out this form to keep a daily record of operation and maintenance issues.

### 6.3 ROUTINE SERVICING AND MAINTENANCE

Regular maintenance and care of the dock leveler is very important for cost and operation efficiency and more importantly; operator safety. A faulty dock leveler is a potential source of danger to the operator, and to other personnel working near it. As with all quality equipment, keep the dock leveler in good operating condition by following the recommended schedule of maintenance. Failure to properly maintain or operate the dock leveler within its rated capacity can void the manufacturer warranty.

### 6.4 PLANNED MAINTENANCE PROGRAM INTERVALS

Arrange for a qualified dock leveler repair technician to perform regularly scheduled planned maintenance on your dock leveler every three months for single shift operations or monthly for multi-shift operations. Call your authorized manufacturer / dealer for further details.

### 6.5 MAINTENANCE SEQUENCE

1. Cleaning, including pit area
2. Visual inspection of all components
3. Lubrication, as required (by a trained service technician only)
4. Test operate all functions
5. Adjustments, if required (by a trained service technician only)
6. Check for missing or damaged dock bumpers
7. Record inspection details and findings for owners' files



**6.6 DAILY MAINTENANCE PROCEDURES (DMP) CHECKLIST - MECHANICAL HOLD-DOWN KIT**

**INSPECTED BY:** \_\_\_\_\_ **DATE:** \_\_\_\_\_

**SERIAL #:** \_\_\_\_\_ **DOOR #:** \_\_\_\_\_

Forward this checklist to the person responsible for dock equipment maintenance. See Section 1.1 "Owner's Purchase Record" for Date in Service.

**INSTRUCTIONS:** Indicate "OK for USE" with a check mark ✓ in the appropriate box of each inspection point. Indicate "NOT OK for USE" with an x in the appropriate box of each inspection point.

**EVERY DAY (MAY BE PERFORMED BY OWNER OR ATTENDANT):**

- Remove any debris that may have accumulated around the dock equipment
- Verify complication-free operation of the dock equipment and the interior and exterior lights system (if installed)
- Verify that outside signage is present and legible (if equipped)
- Remove any potential trip hazards from around the dock area
- Verify that dock bumpers/risers/extensions are in working condition (if equipped)
- Check curb angles for irregularities (e.g. concrete cracks)
- Verify that the overhead door is functioning correctly
- Verify that instructional caution and danger labels are present and legible on the product - replace if necessary
- Verify that wheel chocks are present and in working condition

**PHOTOCOPY THIS CHECKLIST AND FILL OUT REGULARLY FOR YOUR RECORDS.**

**Explain faults briefly in the space provided below:**

---



---



---



---



---

<b>DANGER</b>
When repairing or conducting maintenance procedures on electrical components, perform lockout / tagout steps according to OSHA regulations and approved electrical codes.

<b>DANGER</b>
Prior to installation, place adequate barriers on dock and ground level to prevent unauthorized personnel and vehicle traffic from entering the work area.

<b>WARNING</b>
All repairs and maintenance work are to be conducted by trained and authorized personnel ONLY.

## 7.0 OPERATING INSTRUCTIONS



### WARNING

Do not operate this leveler unless you have been trained and authorized to do so, and have read and understood all of the safety information and instructions contained herein.

Do not operate the dock leveler beyond its rated capacity.

Do not operate this leveler until you have checked its condition. Report the need for repairs to your supervisor immediately and do not operate the unit until repairs are made. Neglect may cause a minor repair to become a major service problem and cause the leveler to become unsafe.

Never try to lift or move any part of the dock leveler manually.

Do not drive on the leveler unless the lip is securely on the truck bed and has a minimum of 4" (102mm) overlap on its surface.

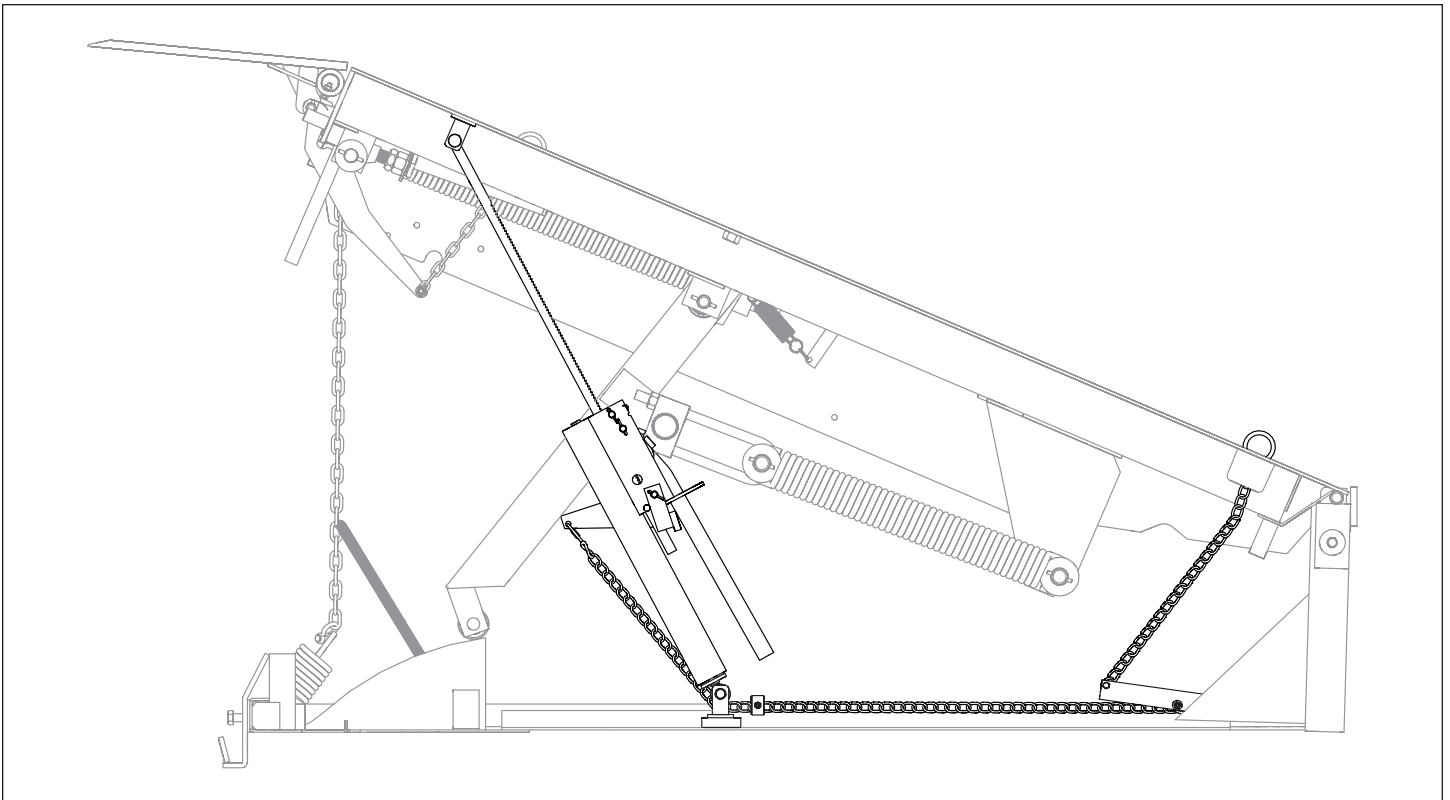
Do not exceed 4 mph (6 km/h) when driving over the dock leveler. Doing so could result in premature product wear and damage.

Do not drive over side edges of the leveler and / or dock bumper blocks (bumpers blocks are not structural).

Confirm brakes have been set and air has been removed from the air-ride suspension (if applicable).

## 7.1 FUNCTIONAL DESCRIPTION

The Mechanical Hold-Down Kit opposes the constant upward force of the lift springs on a mechanical dock. This allows the dock leveler to be raised and lowered by pulling the lifting chain. The inclusion of the Easy-Pull system can lessen the effort it takes to pull this chain by 25%.



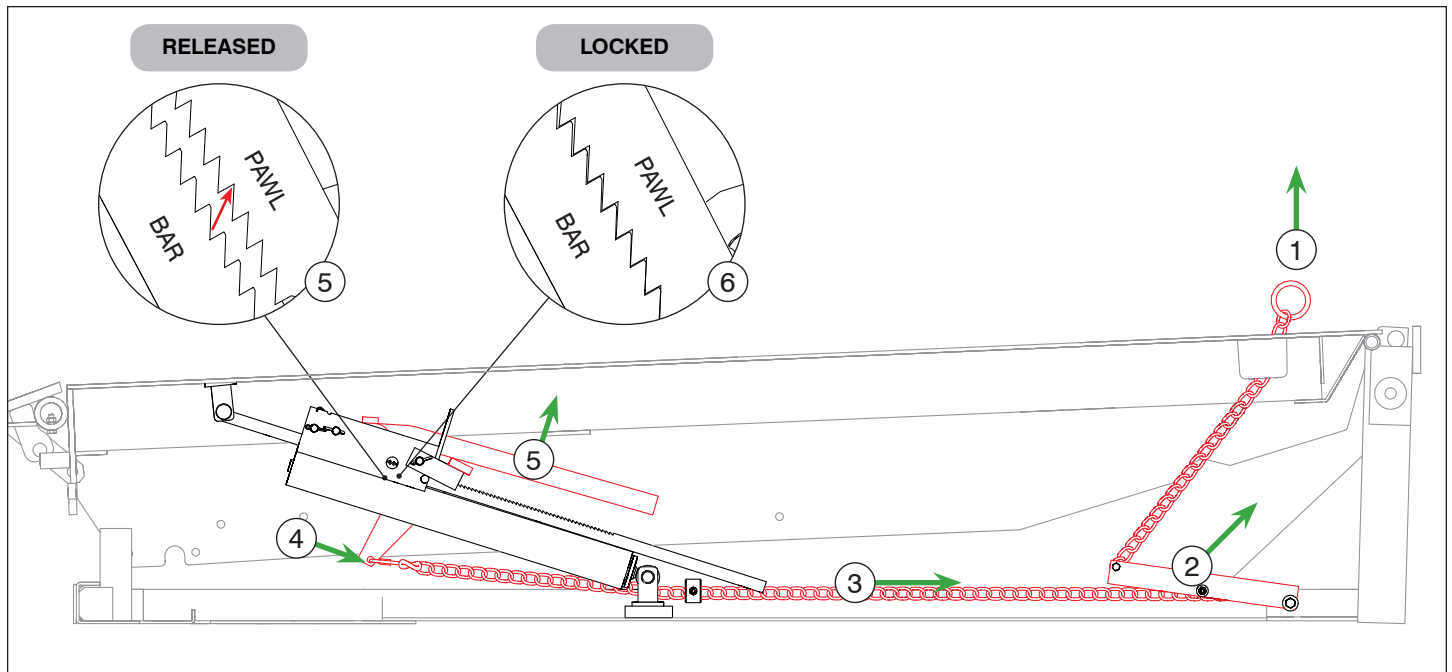
## STANDARD OPERATION PROCEDURES

### 7.2 OPERATING THE MECHANICAL HOLD-DOWN

Before beginning, ensure that the deck surface area is free of materials and/or persons.

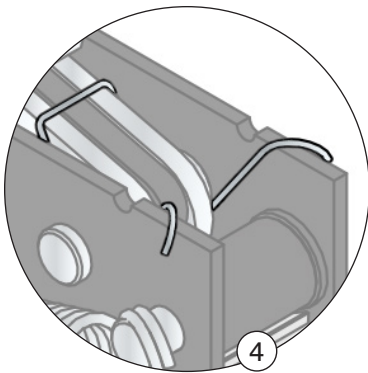
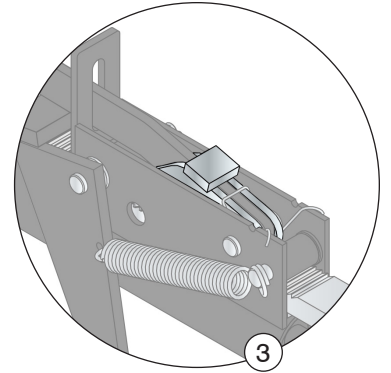
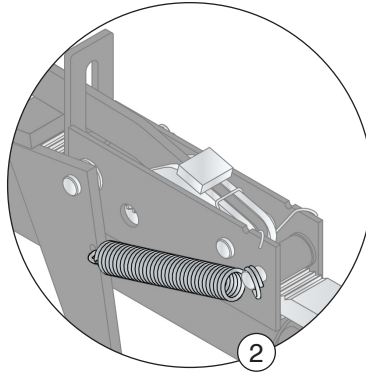
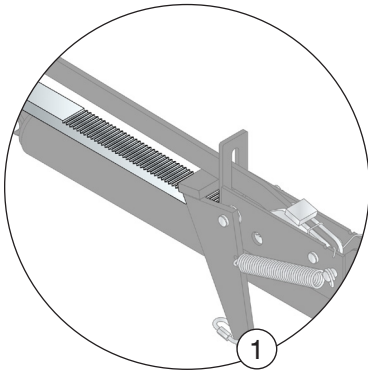
1. Firmly pull up on the hold-down release ring.
2. The Easy-Pull lever will raise.
3. As the Easy-Pull lever is raised, it will pull on the ratchet chain.
4. The ramp control arm will pull back, raising the pawl.
5. As the pawl lifts, it will separate from the bar, allowing the deck to rise.
6. To stop the deck from rising, let go of the hold-down release ring. This will cause the pawl and bar to lock together.

**NOTE:** Step 6 is typically performed after the lip is extended.



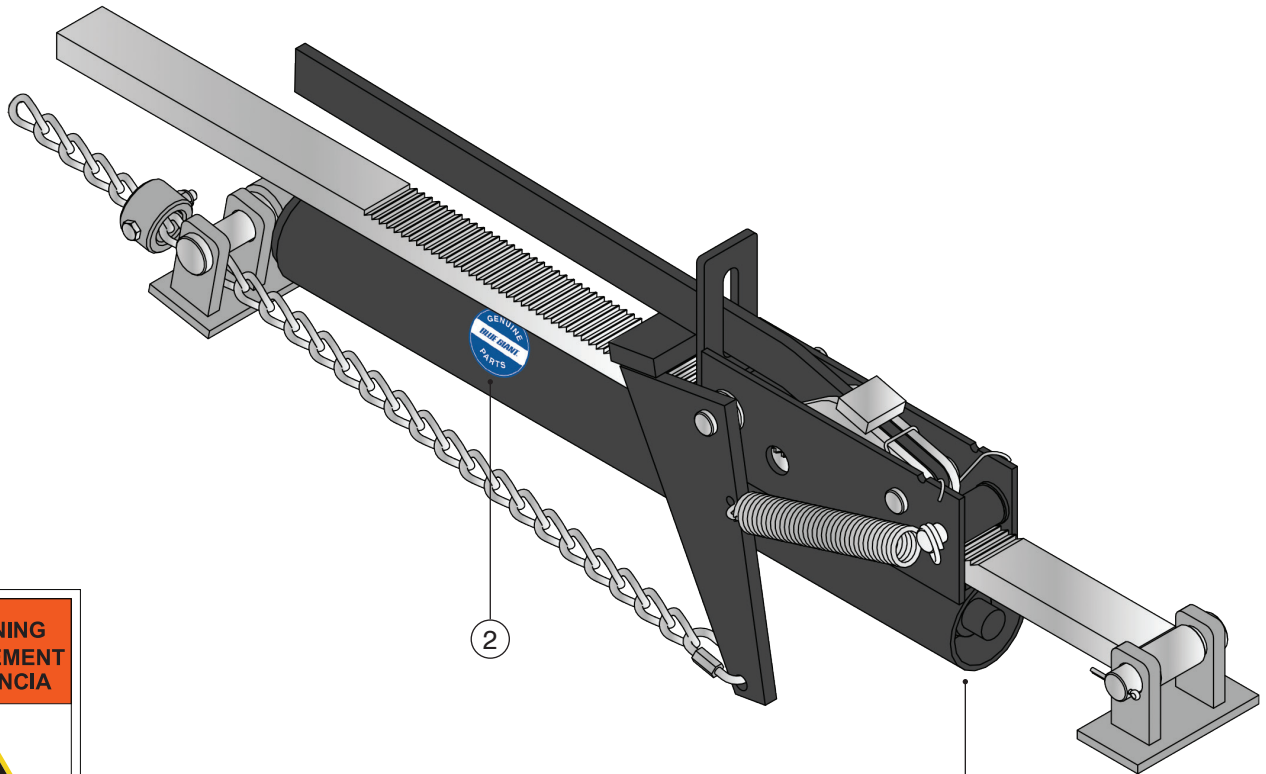
**NOTE:** Green arrows denote direction of movement during operation.

**8.0 RECOMMENDED SPARE PARTS - RATCHET HOLD-DOWN ASSEMBLY**



REPLACEMENT PARTS RATCHET HOLD-DOWN ASSEMBLY			
ITEM	PART NO.	DESCRIPTION	QTY REQ'D.
1	22-002641	Ratchet Bar	1
2	70-003743	Tension Spring	1
3	22-002636	Pawl Assembly	1
4	22-002639	Spring, Retainer Pawl	1

9.0 DECAL IDENTIFICATION AND LOCATION



**WARNING**  
**AVERTISSEMENT**  
**ADVERTENCIA**

Contents under extreme pressure. Do not adjust or disassemble.  
 Le contenu sous une pression extrême. Ne pas ajuster ou démonter.  
 Contenido bajo presión extrema. No ajustar ni desmontar.

038-1037EFS

1



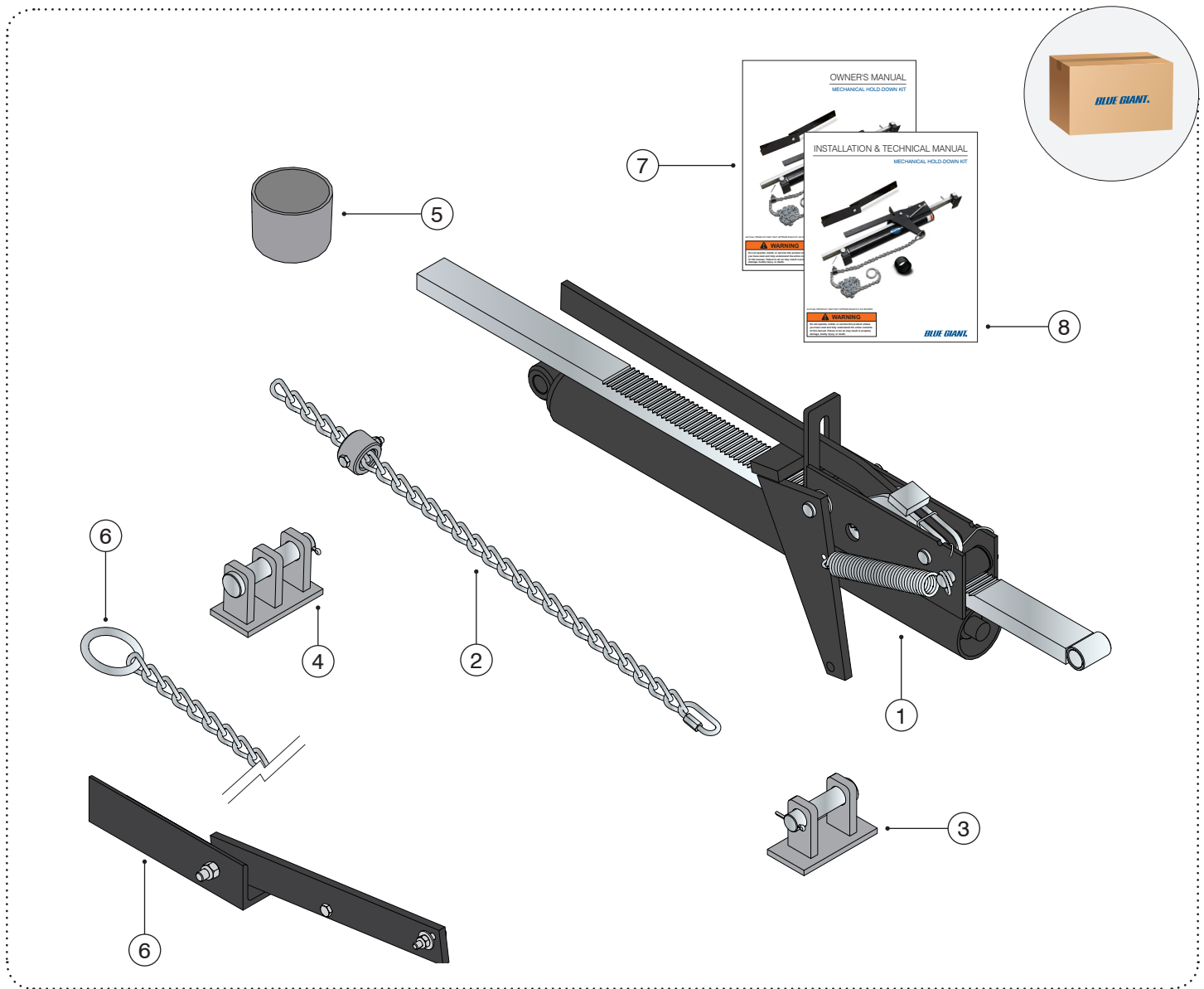
2

A circular inset showing a close-up of the warning decal (1) attached to the hold-down kit. The decal features the same warning symbols and text as shown in the larger diagram.

1

ITEM	QTY	PART NO.	DESCRIPTION
1	1	038-1037EFS	Contents Under Pressure Warning
2	1	038-015E	Blue Giant Genuine Parts 3x3

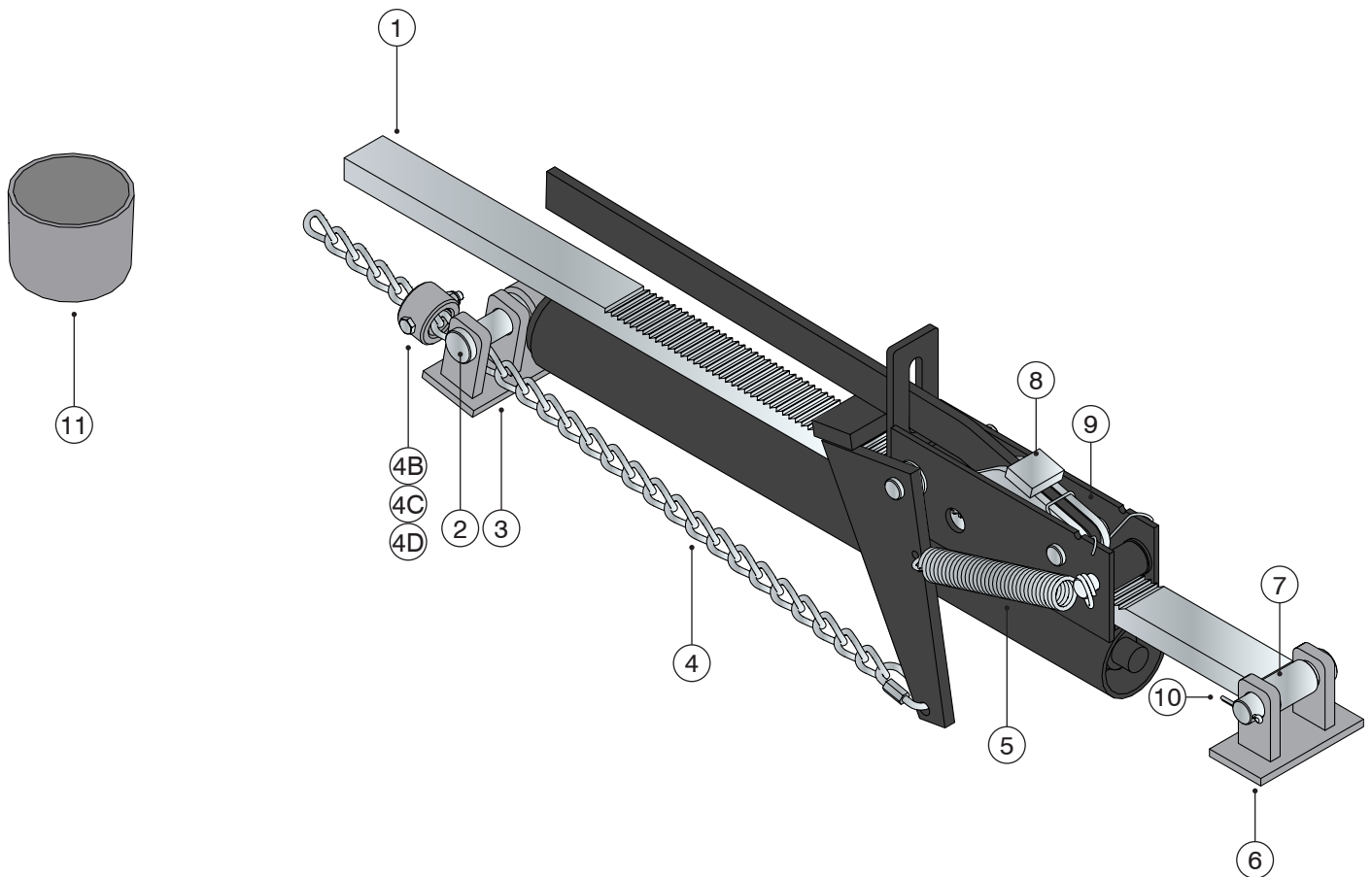
10.0 COMPONENTS AS SHIPPED CHECKLIST



RATCHET HOLD-DOWN AND EASY-PULL ASSEMBLY - 70-003517-KIT

✓	ITEM	QTY.	PART NO.	DESCRIPTION	APPROX. WEIGHT	
	1	1	See Section 11.0	Ramp Control Assembly	48 lb	21.8 kg
	2	1		Ratchet Release Chain		
	3	1		Deck Clevis Bracket, Single (with pins)		
	4	1		Base Clevis Bracket, Double (with pins)		
	5	1		Lifting Chain Cup		
	6	1	See Section 12.0	Easy-Pull Assembly	2 lb	0.9 kg
	7	1	038-1034E	Owner's Manual	—	—
	8	1	038-1034EI	Installation and Technical Manual	—	—

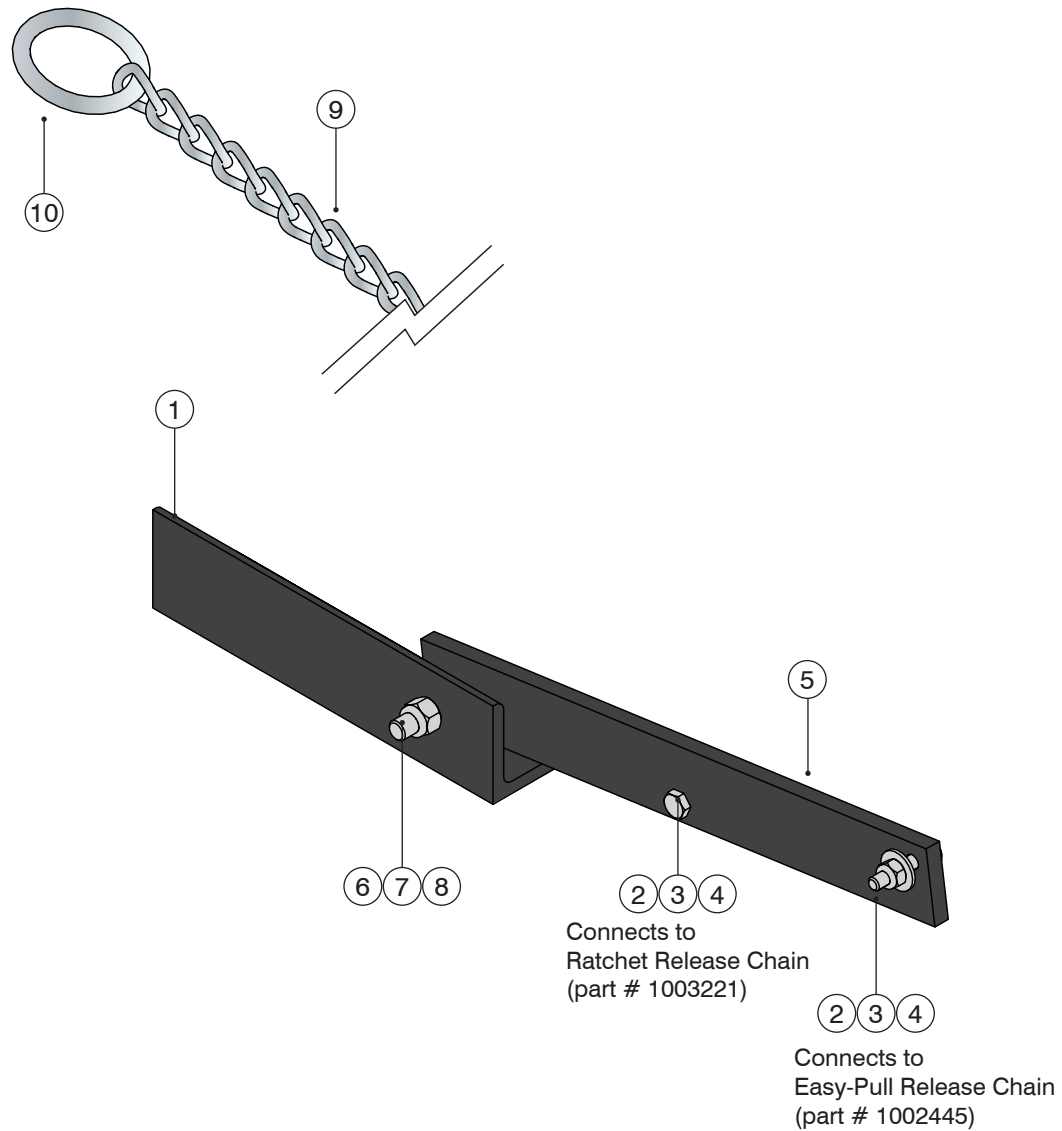
## 11.0 MECHANICAL HOLD-DOWN KIT ASSEMBLY



## MECHANICAL HOLD-DOWN KIT ASSEMBLY - 70-003517

ITEM	PART NO.	DESCRIPTION	QTY REQ'D.
1	22-002641	Ratchet Bar	1
2	1000700	Clevis Pin, Base 1/8"	1
3	22-002122	Clevis Bracket, Base	1
4	1003221	Chain Assembly, Ratchet Release	1
4B	1002299	Stop Block	1
4C	011-545	Nylock Nut 1/4" UNC	1
4D	010-003	Hex Head Cap Screw 1/4-20 UNC x 2	1
5	70-003743	Tension Spring	1
6	22-002123	Clevis Bracket, Deck	1
7	1000700-1	Clevis Pin, Deck 3/4"	1
8	22-002636	Pawl Assembly	1
9	22-002639	Spring, Retainer Pawl	1
10	013-021	Cotter Pin 1/8" dia x 1-1/4"	2
11	113-607	Lifting Chain Cup	1

**12.0 EASY-PULL ASSEMBLY**



EASY-PULL ASSEMBLY - 1001386			
ITEM	PART NO.	DESCRIPTION	QTY REQ'D.
1	1001388	Angle Bracket	1
2	012-210	Flat Washer 1/4	2
3	010-087	Hex Head Cap Screw 1/4-20 UNC x 1-1/4	2
4	011-545	Hex Self Lock Nut 1/4-20	2
5	1001387	Lever	1
6	010-014	Hex Head Cap Screw 3/8-16 UNC x 1-1/2	1
7	012-252	Flat Washer 3/8	2
8	011-552	Hex Self Lock Nut 3/8-16	1

EASY-PULL RELEASE CHAIN ASSEMBLY - 1002445			
ITEM	PART NO.	DESCRIPTION	QTY REQ'D.
9	722527	21" (533 mm) Easy-Pull Release Chain	1
10	113-224	Pull Ring	1



## 13.0 DOCK LEVELER TROUBLESHOOTING

**WARNING**

Do not attempt to install, make repairs or adjustments. Only a trained and authorized service technician should perform the installation process. Contact your local dealer or distributor for assistance.

PROBLEM	PROBLEM CAUSE
Deck will not raise	<ol style="list-style-type: none"> <li>1. Hold-down mechanism is not releasing. The release chain or handle may be jammed or broken.</li> <li>2. Foreign materials may be lodged between the side of the deck and the pit wall.</li> <li>3. The bumpers may be damaged or missing, allow the truck to contact and hold the lip.</li> <li>4. The lifting arm cam roller knocked off cam or jammed.</li> <li>5. The lifting chain may be routed incorrectly.</li> </ol>
The deck does not raise quickly enough to swing the lip up into the fully extended position	<ol style="list-style-type: none"> <li>1. Deck may be dragging on the side of the pit, slowing its movement.</li> <li>2. Foreign material may be lodged between the side of the deck and the pit wall.</li> <li>3. Lifting arm cam roller has groove worn into cam, or defective bearings.</li> <li>4. Lack of lubrication.</li> <li>5. Lifting springs may require adjustment (rule out all other causes first).</li> <li>6. Side brush seals may be coming loose.</li> <li>7. Foreign material may be lodged between the deck and the rear wall.</li> <li>8. Ensure that you are not standing on the deck while attempting to operate the dock.</li> <li>9. Ratchet bar has foreign object lodged in it, or is seizing. Clean the bar, but do not lubricate.</li> </ol>
The lip does not lock after fully extending	<ol style="list-style-type: none"> <li>1. The lip lock is not engaging. The spring may be broken or stretched, or the lock may have seized.</li> <li>2. The lip actuator is bent or broken.</li> <li>3. Foreign material is lodged in the lip lock mechanism.</li> <li>4. Length of spring and key ring assembly too long.</li> <li>5. Compression spring out of adjustment.</li> <li>6. Foreign object between the spools of the lip and the deck.</li> <li>7. The lip spool is seizing, rusted or damaged spool.</li> </ol>
The deck will not "walk down"	<ol style="list-style-type: none"> <li>1. Foreign material in the pit may be blocking the mechanism.</li> <li>2. Review walk-down weight.</li> <li>3. Side safety skirts are damaged and jammed against the wall.</li> <li>4. The lifting arm cam roller is knocked off, causing the lift arm to jam against the cam.</li> <li>5. The dock strut is engaged.</li> <li>6. The ratchet assembly may be damaged.</li> </ol>
The deck is difficult to "walk down"	<ol style="list-style-type: none"> <li>1. Weather seals, skirts, or deck may be dragging against the pit wall.</li> <li>2. Foreign material may be in the pit.</li> <li>3. The cam roller may be severely grooved by wear.</li> <li>4. The cam roller bearing may have seized.</li> <li>5. Lack of lubrication.</li> <li>6. The lift springs are improperly adjusted. Tension may have been mistakenly increased to troubleshoot another problem.</li> <li>7. The ratchet assembly may be damaged.</li> </ol>

**13.0 DOCK LEVELER TROUBLESHOOTING CONT'D.**



**WARNING**

Do not attempt to install, make repairs or adjustments. Only a trained and authorized service technician should perform the installation process. Contact your local dealer or distributor for assistance.

PROBLEM	PROBLEM CAUSE
<p>The deck does not stay down: it springs back up after being walked down</p>	<ol style="list-style-type: none"> <li>1. The pull chain is stuck in the open position.</li> <li>2. The ratchet pawl teeth are broken.</li> <li>3. The ratchet assembly mounts are broken.</li> <li>4. The ratchet pawl has a foreign object preventing it from locking into place.</li> <li>5. The ratchet assembly mount is loose or out of alignment. Ensure that the hold-down bolts are adequately tightened and in the proper position. The deck should settle at finished floor height.</li> </ol>
<p>The lip strikes the rear of the truck as the deck raises, stops, or slows down, and lip does not extend in the locked position</p>	<ol style="list-style-type: none"> <li>1. Damaged or missing dock bumpers allow the truck to park too close to the dock leveler.</li> <li>2. Height difference between the dock and truck bed may be greater than recommended.</li> <li>3. The lip actuator assembly may be damaged, causing the lip to extend too early in the cycle.</li> <li>4. The lip actuator requires adjustment.</li> </ol>
<p>The lip will not clear the rear of the truck when attendant attempts to park the dock while the truck is parked</p>	<ol style="list-style-type: none"> <li>1. Damaged or missing dock bumpers allow the truck to park too close to the dock leveler.</li> <li>2. Height difference between the dock and truck bed may be greater than recommended.</li> <li>3. The lip actuator requires adjustment.</li> <li>4. The lip crown is set too high.</li> </ol>
<p>The lip does not release or swing down when the truck departs</p>	<ol style="list-style-type: none"> <li>1. The lip lock may have seized due to lack of lubrication, or due to foreign material in the pit.</li> <li>2. The lip lock may be held in the locked position by foreign material in the pit.</li> <li>3. No traffic when over deck to disengage lip lock.</li> </ol>

**NOTES**

***BLUE GIANT***<sup>®</sup>  
BLUE GIANT EQUIPMENT CORPORATION

**Corporate** 410 Admiral Blvd  
Mississauga, ON, Canada L5T 2N6  
t 905.457.3900 f 905.457.2313

**USA** 6350 Burnt Poplar Road  
Greensboro, NC 27409  
[www.bluegiant.com](http://www.bluegiant.com)