

## EPJ-25 Electric Pallet Jack

An alternative to manual pallet trucks. With the addition of the Easy Exchange Battery, the EPJ-25 makes power issues a non-factor for light duty applications.

### CAPACITY

- 2,500 lb (1,134 kg)

### EASY EXCHANGE LITHIUM ION BATTERY

- 24-volt 20AH rechargeable
- 110VAC plug-in external charger

### DRIVE AND TRAVEL CONTROLS

- 24-volt Curtis DC transistor travel control with permanent magnet drive motor.
- Variable speed from 0 mph to 2.8 mph empty
- Variable speed from 0 mph to 2.5 mph loaded

### WEIGHT

- 288 lb (131 kg) with battery

### TIRES / CASTERS

- **Drive:** (1) 8.3" x 2.8" (211 mm x 71 mm) polyurethane
- **Load:** (2) 2.4" x 3.1" (74 mm x 79 mm) polyurethane

### FORKS

- 27" (686 mm) OAW x 45.25" (1149 mm) OAL
- Designed for use with standard 48" (1219 mm) pallets and other common skids and containers
- Forks can achieve a maximum elevation of over 7.5" (191 mm) and are shaped at the load wheel housings for pallet entry and exit without need for wearable rollers

### CONTROL HEAD

- Travel, lift, and lower functions are located in the ergonomic operator handle
- All operator controls are accessible without having to lift one's hand from the loop handle
- The control head is designed to allow easy operation with either hand and includes a belly button reversing switch, dual butterfly travel controls, horn, battery discharge indicator and manual lowering control for quick and efficient operation
- The low mounted tiller arm offers excellent operator comfort and minimum steering effort

### HYDRAULICS

- Permanent magnet DC pump and chrome plated cylinder provide for smooth and efficient lifting



\* Easy exchange lithium ion battery and charger.

### ELECTRICAL

- Water resistant connector and shrouded wiring harness supply power reliably to components
- System includes a key switch, emergency power disconnect and on-board dock for Easy Exchange Battery

### BRAKES

- Electromechanical brake provides good stopping power when handle is upright or lowered beyond the operating range

### SERVICEABILITY

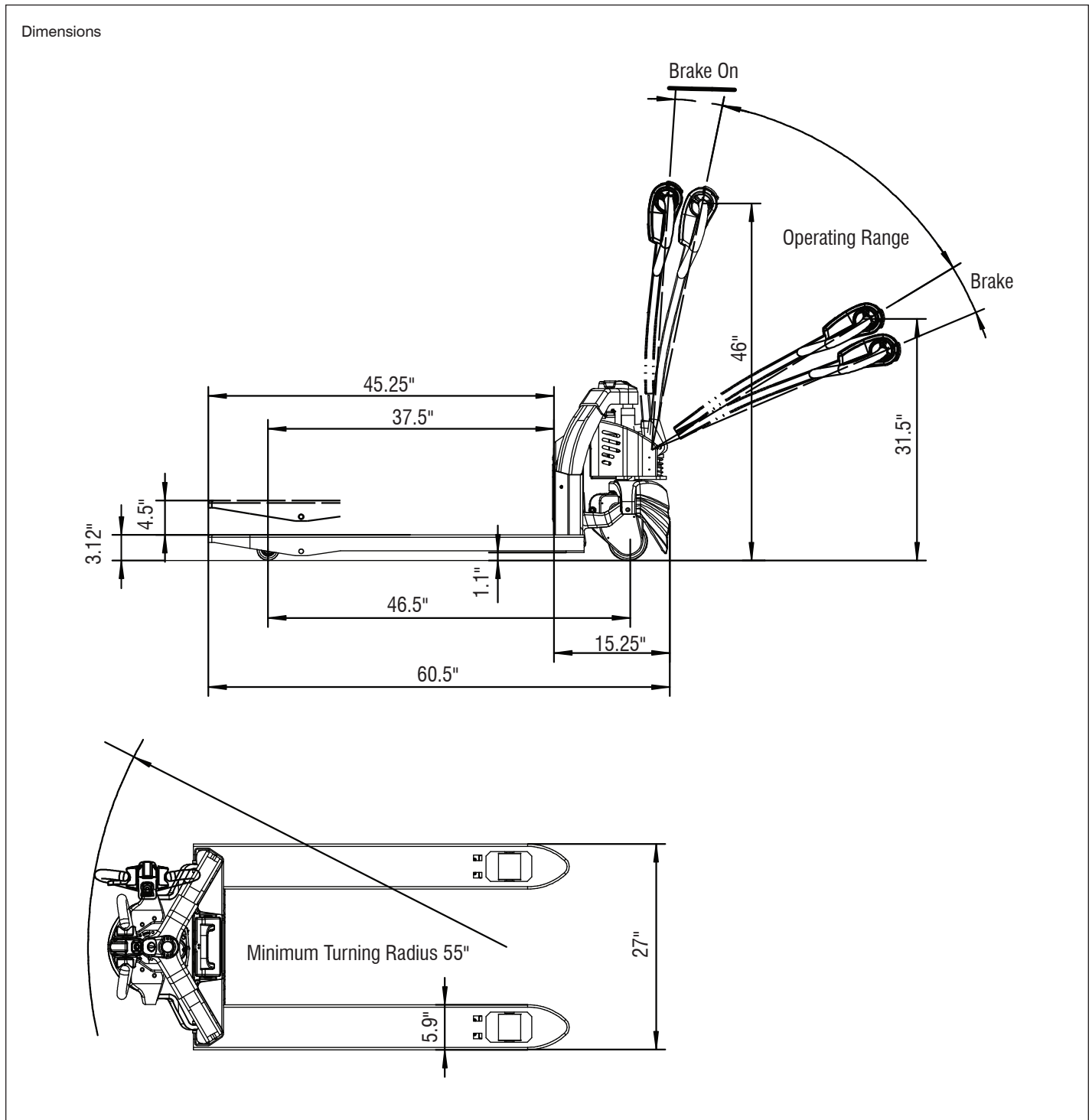
- Removable covers and modular design of components provides for easy maintenance with simple hand tools
- Two piece drive wheel reduces complexity of tire changes

### DUTY CYCLE

- Revolutionary Easy Exchange Battery delivers up to three hours of operation and can be fully charged within 2.5 hours
- Optional extra batteries can be purchased to extend run time or to serve as a reliable back-up

### WARRANTY

- 24 month limited warranty



Certification – all units are built to be in compliance with the Occupational Safety & Health Act (OSHA).

Blue Giant Equipment Corporation will not assume liability for injuries or damage arising from, or caused by, the removal of any safety devices from their vehicles by user. Because of Blue Giant continuing to improve products, specifications are subject to change without notice.

Multiple patents pending.

**BLUE GIANT**  
BLUE GIANT EQUIPMENT CORPORATION

**Corporate** 410 Admiral Blvd  
Mississauga ON L5T 2N6  
t 905.457.3900 f 905.457.2313

**USA** 6350 Burnt Poplar Rd  
Greensboro, NC 27409  
[www.bluegiant.com](http://www.bluegiant.com)

AUTHORIZED DEALER

Blue Giant offers a full line of dock levelers, dock safety equipment, seals and shelters, accessories, ergonomic and scissor lift equipment and industrial trucks. Concurrent with our continuing product improvement program, specifications are subject to change without notice. Please contact Blue Giant for latest information. Some features illustrated may be optional in certain market areas.