

BG910 RAIN SHROUD MAX

FEATURES AND SPECIFICATIONS

When water infiltrates a loading dock area, wet and slippery floors create unsafe working conditions. Rain Shroud Max effectively diverts rain and harsh weather away from the dock, keeping the loading area dry and safe.

Rain Shroud Max can be installed as a standalone unit or integrated seamlessly with existing dock setups to keep rainwater out of the traffic zone. Its self-adjusting weighted foam pad ensures a tight seal against rainwater and accommodates up to 12-inch variance in trailer heights, providing effective coverage and allowing customization based on specific dock requirements.

This economical design is virtually maintenance-free with no mechanical parts. The steel structure with PowderCoat™ finish and galvanized top sheet metal offers superior protection against rust and corrosion.

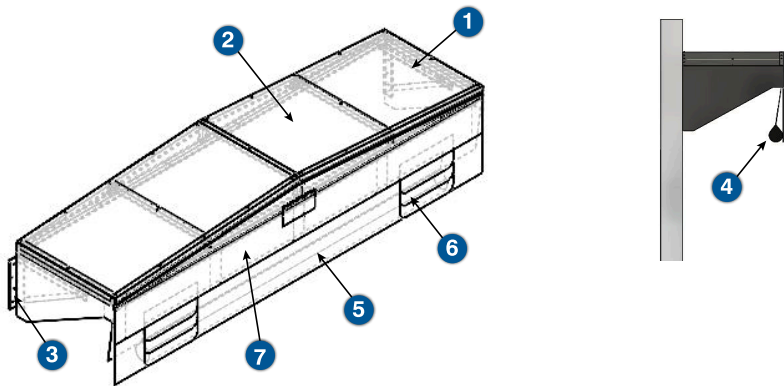
Rain Shroud Max conforms to any deformities on a trailer's surface, preventing leakage. A reinforced top steel bar creates a tight seal and boosts curtain strength.

STANDARD FEATURES:

- Dimensions: 120" wide x 30" projection with an 18" drop
- Pivoting foam pad minimizes impact stress on the header, and reduces wear
- Reinforced wear flaps on the head curtain
- Roof framing with PowderCoat™ square tubing, engineered to enhance structural strength
- Steel header frame with PowderCoat™ and galvanized top sheet metal
- Pitched roof effectively diverts water to the sides
- Double-layered curtain for increased material life expectancy
- Pre-drilled frame for ease of installation
- Galvanized mounting brackets and hardware

ADDITIONAL OPTIONS INCLUDE:

- Tailored sizing (width, projection, drop) based on trailer size range
- Galvanized header frame
- Snow load supports
- Anchor screws
- ArmorShield™ reinforced wear flaps



BG910 Rain Shroud Max

For maximum value and performance, the BG910 can be constructed from our premium durability fabrics (see chart for materials, weights, and available colors).

FABRIC AND COLOR SELECTION:

TearResist™ Fabric

40oz Vinyl Fabric	■	■	■	■
45oz Extreme Vinyl Fabric	■			
50oz Vinyl Fabric	■			

TearResist™ Flex Fabric

50oz Poly Rubber Fabric	■			
-------------------------	---	--	--	--

ArmorShield™

109oz Vinyl Fabric	■			
--------------------	---	--	--	--

*Optional material only for High Impact Zone (6)

No.	DESCRIPTION
1	Steel header frame with PowderCoat™ finish
2	Galvanized sheet metal
3	Galvanized side support brackets
4	Weighted foam pad
5	Protective shield
6	Wear flaps
7	Storage curtain

BLUE GIANT
BLUE GIANT EQUIPMENT CORPORATION

Corporate 410 Admiral Blvd
Mississauga, ON, Canada L5T 2N6
t 905.457.3900 f 905.457.2313

USA 6350 Burnt Poplar Road
Greensboro, NC 27409
www.bluegiant.com

AUTHORIZED DISTRIBUTOR

Blue Giant offers a full line of dock levelers, dock safety equipment, seals and shelters, accessories, ergonomic and scissor lift equipment and industrial trucks. Concurrent with our continuing product improvement program, specifications are subject to change without notice. Please contact Blue Giant for latest information. Some features illustrated may be optional in certain market areas.

If calling within North America: t 1.800.872.2583 f 1.888.378.5781

SS-BG910-111224 ©Copyright Blue Giant Equipment Corporation 2024