

BGRS RAIN SHROUD

FEATURES AND SPECIFICATIONS

When water infiltrates the loading dock area, the wet and slippery floors create dangerous working conditions.

The BGRS rain shroud can be installed on its own or retrofitted to an existing unit to keep rain water out of the traffic zone. A foam wiper blade design forms a tight seal against the top of the trailer to keep the loading dock area dry.

This economical design is virtually maintenance free with no mechanical parts to wear out.

Standard units seal trailers from 13' to 13.5' high on a typical 4' dock height.

STANDARD FEATURES:

- 24" projection
- 40 oz. Hi-Tear vinyl base fabric
- Dimensions: 120" wide x 24" projection with a 24" drop
- Pressure-treated lumber with fibreglass sheeting to prevent fading or cracking in the sun
- Dual density foam with 99% memory
- Protective flaps / pleats on corners

For maximum value and performance, the BGRS can be constructed from our premium durability fabrics (see chart for materials, weights, and available colors).

ADDITIONAL OPTIONS INCLUDE:

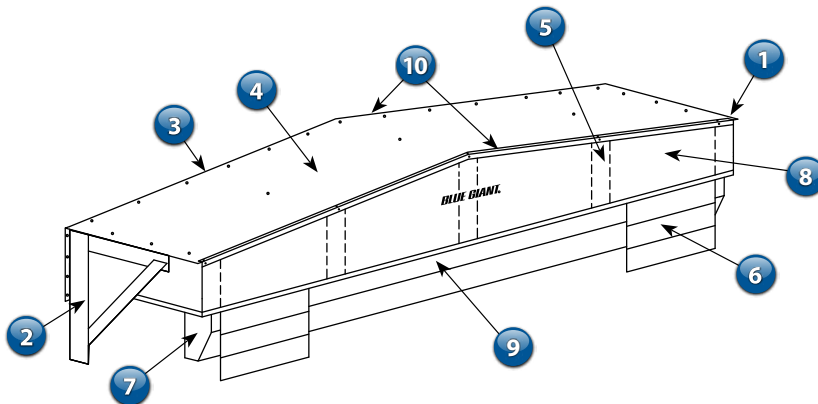
- Additional drop in head pad
- Additional width
- Galvanized framing
- Snow load supports



BGRS Rain Shroud

FABRIC AND COLOR SELECTION:

40oz Hi-Tear Vinyl	<input type="checkbox"/>	<input type="checkbox"/>	<input type="checkbox"/>	<input type="checkbox"/>
50oz Hi-Tear Vinyl	<input type="checkbox"/>	<input type="checkbox"/>	<input type="checkbox"/>	<input type="checkbox"/>
40oz Hi-Performance Hypalon	<input type="checkbox"/>	<input type="checkbox"/>	<input type="checkbox"/>	<input type="checkbox"/>



No.	DESCRIPTION
1	Galvanized trim angle
2	Galvanized side support bracket
3	Galvanized steel frame*
4	Galvanized sheeting*
5	Stays
6	10" x 20" wear flaps / pleats
7	Foam pad
8	Storage curtain
9	Double layer of fabric 40oz
10	Tek screws*

*Some items displayed may be optional

BLUE GIANT
BLUE GIANT EQUIPMENT CORPORATION

Corporate 410 Admiral Blvd
Mississauga ON L5T 2N6
t 905.457.3900 f 905.457.2313

USA 6350 Burnt Poplar Road
Greensboro, NC 27409
www.BlueGiant.com

SS-BGRS-092414

Blue Giant offers a full line of dock levelers, dock safety equipment, seals and shelters, accessories, ergonomic and scissor lift equipment and industrial trucks. Concurrent with our continuing product improvement program, specifications are subject to change without notice. Please contact Blue Giant for latest information. Some features illustrated may be optional in certain market areas.