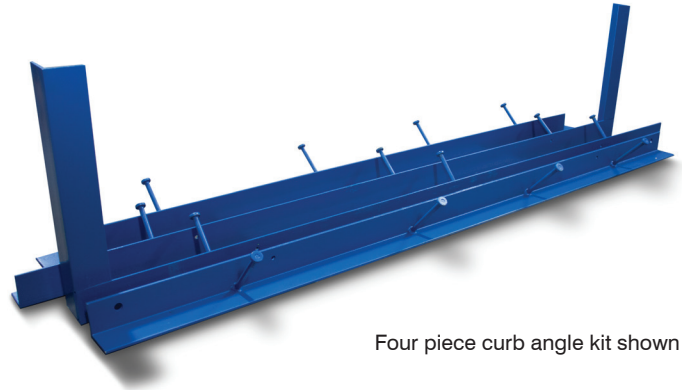


Curb Angle Kits

Blue Giant Curb Angle Kits make proper pit formation easier to accomplish. Manufactured to suit any size pit, curb angles cover exposed edges and protect the pit perimeter. Kits are available in the following configurations, ensuring complete:

- Four-Piece: two top sides, one top rear, and one front bottom piece
- Six-Piece: two top sides, one top rear, and one front bottom piece, plus two vertical drops
- Eight-Piece: two top sides, one top rear, and one front bottom piece, plus two vertical drops and two front face horizontals

A special curb angle kit for dock lifts and scissor lifts is also available.



Four piece curb angle kit shown

Pit Kits



Pit Kit shipped in four pieces – shown field assembled

Blue Giant Pit Kits ensure accurate dimensions by using prefabricated steel panels that are bolted together on site. The result is a true, square pit that's ready to accommodate a dock leveler now or in the future.

- Each pit kit includes three steel panels plus a front curb angle
- Can be used with all dock leveler types
- Less expensive than traditional wood forms

Paint Color Options

Blue Giant offers our dock levelers in the following paint color options: Standard Blue, Battleship Grey, and Black Gloss.

Free Standing Frames



Is floor space limited? A Blue Giant free-standing frame assembly allows a dock leveler to be successfully installed outside a building. Free-standing frames are also a solution for issues connected to re-routing gas and water lines.

- Fits all pit-style dock levelers
- Comes with guard rails and pre-installed bumpers
- Can be used with hydraulic, mechanical, and air-powered dock levelers



Standard Blue



Battleship Grey



Black Gloss

BLUE GIANT®
BLUE GIANT EQUIPMENT CORPORATION

Corporate 85 Heart Lake Road South
Brampton, ON, Canada L6W 3K2
t 905.457.3900 f 905.457.2313

USA 6350 Burnt Poplar Road
Greensboro, NC 27409
www.BlueGiant.com

AUTHORIZED DEALER

Blue Giant offers a full line of dock levelers, dock safety equipment, seals and shelters, accessories, ergonomic and scissor lift equipment and industrial trucks. Concurrent with our continuing product improvement program, specifications are subject to change without notice. Please contact Blue Giant for latest information. Some features illustrated may be optional in certain market areas.