

**BLUE GIANT<sup>®</sup>**

# AIR-POWERED DOCK LEVELER

**LOAD USAGE**

Up to 26,000 lb  
(11,800 kg)

**LOAD CLASS**

Workhorse  
Heavy  
Super

**NEXT  
GEN**



Designed for demanding applications.  
Delivering maximum efficiency and performance.



**A**  
**Clean Frame Design**  
 Allows for easy pit cleaning and reduces trapped debris.

**B**  
**One Piece Dock Strut**  
 Updated design increases stability, reduces engagement time, and lessens the likelihood of improper positioning.

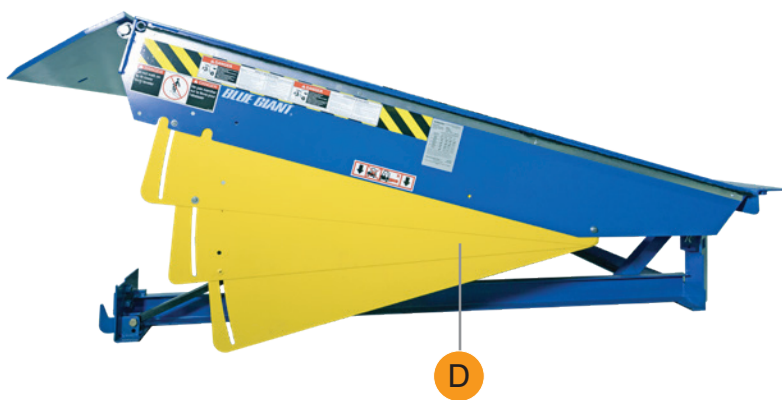
**C**  
**Lip deployment system**  
 Lip deployment system provides positive powered deployment and automatic release.

**D**  
**Full Operating Range Toe Guards**  
 Reduce the risk of foot-related injuries at the loading dock.

**E**  
**Blower Motor**  
 Activates the leveler by delivering air on demand.

**F**  
**Robust Pull Chain**  
 Allows the retraction of fall-safe legs for below level loading, and reduces stump out.

**G**  
**Mechanical Fall Safe Legs**  
 Reduces fall distance in the event of premature truck departure.



# OVERVIEW +FEATURES

## EASY TO OPERATE

- Engineered with a focus on usability, the Blue Giant Air-Powered Dock Leveler is simple to activate and requires just one button operation control.
- Deck raises in a smooth, controlled fashion, deploying the lip with continuous upward motion.
- Blower motor inflates a two-stage air bag via high-volume, low-pressure (HVLP).
- After releasing the button, the bag deflates, setting the platform on the trailer bed.
- No manual lifting is required.
- Requires 120V single phase power source.

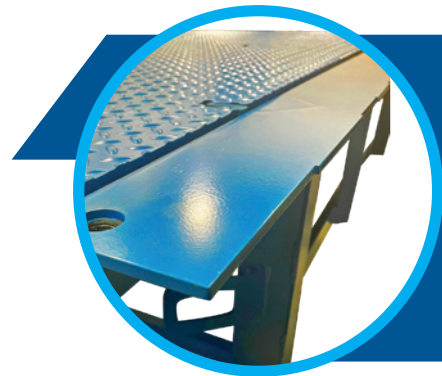


## THE POWER OF AIR

- The air bag can operate in extreme temperature conditions and withstand pressure without overinflating.
- PVC-coated polyester fibers make the bag resistant to chemical or puncture damage.
- The high-volume, low-pressure (HVLP) air lifting system is an environmentally friendly alternative to oil-powered hydraulics.
- Air-Powered performance is activated by a single push button control station, requires no bending or pulling on the part of the operator.
- Equipped with a NEMA4X control station (moisture and corrosion resistant), the Air-Powered Dock Leveler is an ideal solution for special-use facilities, such as clean room facilities and an alternative to hydraulic levelers.

## STRUCTURAL INTEGRITY

- 8-10 enhanced J-beam channels are welded to the underside of the deck at dynamic impact points to prevent distortion and extend the lifetime of the dock leveler.
- All dock options, including 6', 6'-6", and 7', are designed to accommodate both four-wheel and three-wheel forklifts as standard.
- Notched headboard and base frame provide increased stability for service equipment, such as the dock strut and service stand.
- A redesigned lip deployment system provides positive powered deployment and automatic release when lowering on trailer bed or storing in parked position.



## DESIGNED WITH SAFETY IN MIND

- One piece dock strut settles firmly into vertical position, supporting both deck and lip for safe remote under-deck maintenance and pit maintenance.
- In the unlikely event of premature truck departure, mechanical fall-safe legs prevent platform free-fall, minimizing the risk of worker injury and equipment damage.
- Two stage mechanical fall-safe legs eliminate front curb angle damage, preventing costly concrete repairs.
- Stationary side toe guards with high-visibility OSHA safety striping and full operating range metal toe guards reduce the risk of foot-related injuries at the loading dock. Optional anti-slip powder coat reduces the likelihood of slipping on the deck in wet conditions.
- DLB, traffic light system, and truck restraint options can be combined with our Air-Powered Dock Leveler for a fully integrated loading dock safety system.

## DECK FLEX ADVANTAGE

- Ideal for normal loading conditions, the fixed rear hinge design allows the deck to flex up to 4" (102 mm) when under load to ensure full-width contact between the lip and the truck bed.
- The deck remains flush with the floor to eliminate pinch points and cross traffic obstruction.
- High tensile J-beams allow the deck to easily flex side to side while maintaining back to front rigidity without distorting over time.

## INNOVATION AND QUALITY


- A North American industry-first, the Blue Giant Air-Powered Dock Leveler features a powder coat finish as standard, providing unrivaled longevity to finish and color.
- State-of-the-art robotic welding increases structural integrity.
- Plasma cut parts ensure uniform quality.
- Powder coat provides corrosion resistance and increased durability. Environmentally-friendly process uses no solvents, and no or low VOCs. Better, Stronger, Greener.

# DESIGN

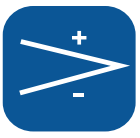
## LEVELER SELECTION - LOAD CLASSIFICATION

### TOTAL LOAD

LOAD WEIGHT + VEHICLE WEIGHT



≤ 5MPH



≤ 7% DECK GRADE

### DAILY USAGE

FULL TRUCK (FTL) / CYCLES

FULL TRUCK (FTL)	CYCLES
0-8	0-200
9-16	201-400
17-24	401-600
≥ 24	≥ 600

FULL TRUCK = 24-26 PALLETS

### LOAD CLASS

LOAD + USAGE

WORKHORSE

HEAVY

SUPER

LOAD USAGE

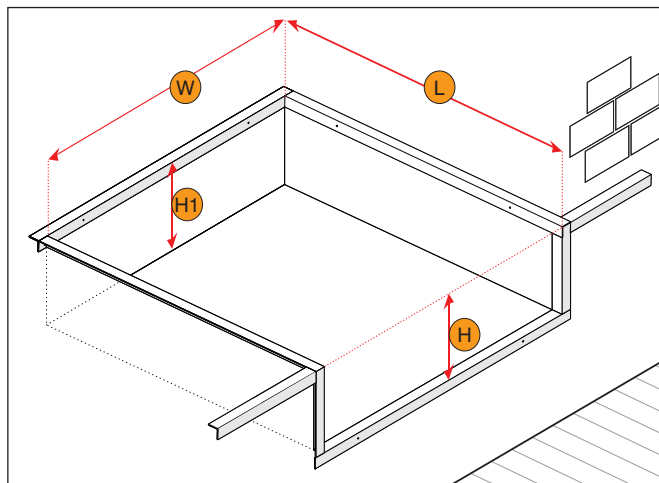
UP TO 26,000 LB

For additional capacities, please contact Blue Giant

## PIT DIMENSIONS

NOMINAL SIZE		PIT WIDTH (W)		PIT LENGTH (L)		
		in	mm	in	mm	
6' x 6'	1829 x 1829mm	74	1880	63	1600	
	6' x 8'			1829 x 2438mm	87	2210
	6' x 10'			1829 x 3048mm	111	2819
6' 6" x 6'	1981 x 1829mm	80	2032	63	1600	
	6' 6" x 8'			1981 x 2438mm	87	2210
	6' 6" x 10'			1981 x 3048mm	111	2819
7' x 6'	2133 x 1829mm	85	2159	63	1600	
	7' x 8'			2133 x 2438mm	87	2210
	7' x 10'			2133 x 3048mm	111	2819

Standard Pit Depth: Front (H): 20" (508mm) Rear (H1): 19.5" (495mm)



Model Number Ordering Format: A - SIZE - CLASS

Sample Order: Air-Powered - 6' x 6' - Workhorse

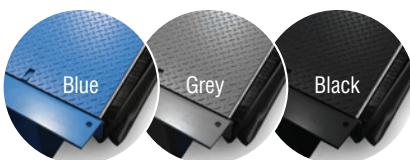
Sample Model Number: A6006W

## OPTIONS

- Lip Length 16" (406 mm) Standard
- 18" (457 mm) or 20" (508 mm)
- DLB (Dock Lip Barrier)
- Energy Seal Plus™
- Blue Genius® Touch Control Panel
- Closed Pit Dock Frame
- Grease Fittings on Lip Tube

## FINISH OPTIONS

- Anti-slip powder coat
- Enriched zinc powder coat
- Special colour options



## POWDERCOAT

Complete powder coat system prolongs the life of your dock equipment. This process is proven to be an effective rustproof solution which creates a safer work environment.

AUTHORIZED DEALER

Corporate 410 Admiral Blvd  
Mississauga, ON, Canada L5T 2N6  
905.457.3900 f 905.457.2313

USA 6350 Burnt Poplar Road  
Greensboro, NC 27409  
www.bluegiant.com

Blue Giant offers a full line of dock levelers, dock safety equipment, seals and shelters, accessories, ergonomic and scissor lift equipment and industrial trucks. Concurrent with our continuing product improvement program, specifications are subject to change without notice. Please contact Blue Giant for latest information. Some features illustrated may be optional in certain market areas.

If calling within North America: t 1.800.872.2583 f 1.888.378.5781

DL-AIR-08102024 © Copyright Blue Giant Equipment Corporation 2024