

TURBO FAN

Blowing away the competition

Try the latest technology in turbo fans.

The Turbo fan is the most efficient way to keep your employees cool and improve productivity. Aerodynamic counter-rotation vanes create a smooth straight air stream, second to none.

- Durable plastic housing
- Easy to install
- Adjustable for different door styles & sizes

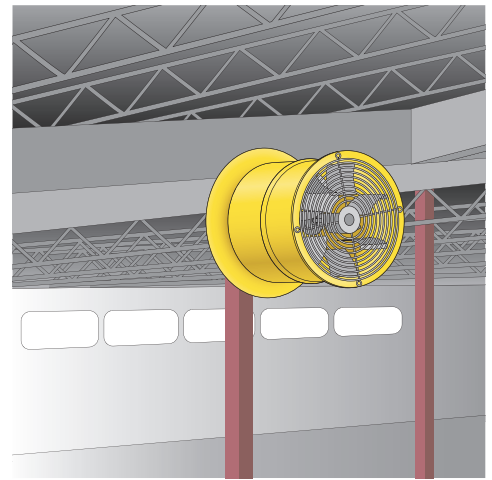
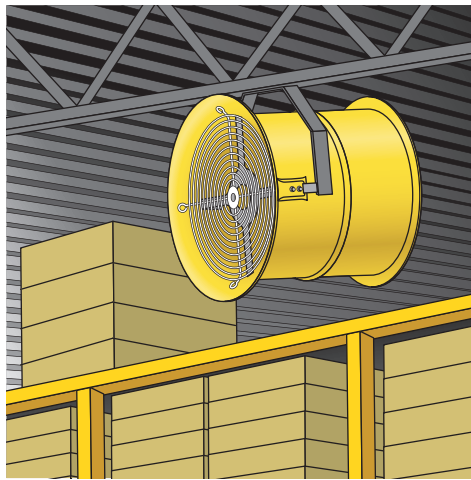
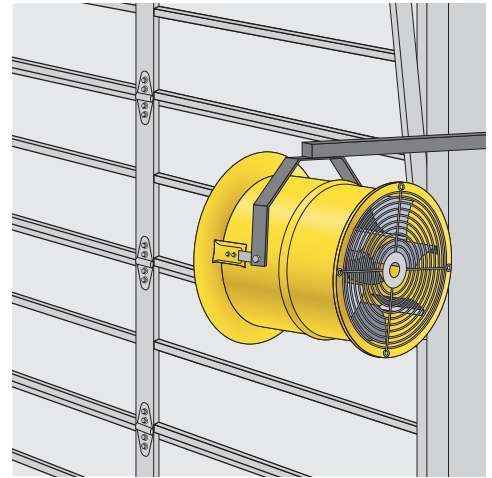
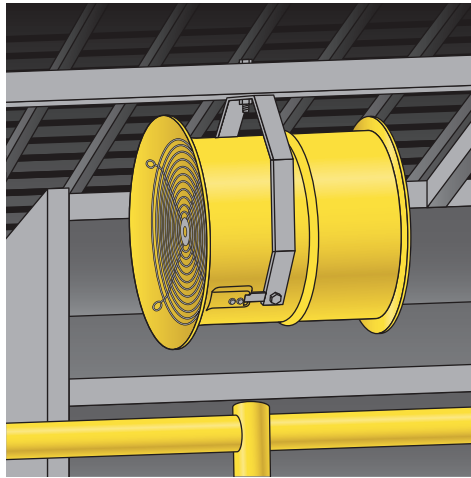
Mounting options available for any warehouse application:

- Door Swing Arm
- Ceiling Mounting Bracket
- Ceiling Mount and Chain
- Rack Mount
- Corner Rack Mount
- Pick Module Mount
- Stand Alone



Model Specifications –

- Available in 460V, 277V, 220V and 120V
- Product Dimensions: D 20" x L 18.625"
- Fan blade length: 15"
- Product Weight: 35 lbs.
- CFM: 2800
- Air throw Distance: 100+ feet
- ½ HP, split capacitor motor
- Finger guard meets OSHA standards
- Housing made from molded Polyethylene plastic



Check out our other ventilation options



AeroTec Fan



Bug Screen Doors



Air Curtains

AUTHORIZED DEALER

Corporate 410 Admiral Blvd
Mississauga, ON, Canada L5T 2N6
905.457.3900 f 905.457.2313

USA 6350 Burnt Poplar Road
Greensboro, NC 27409
www.bluegiant.com

Blue Giant offers a full line of dock levelers, dock safety equipment, seals and shelters, accessories, ergonomic and scissor lift equipment and industrial trucks. Concurrent with our continuing product improvement program, specifications are subject to change without notice. Please contact Blue Giant for latest information. Some features illustrated may be optional in certain market areas.

If calling within North America: t 1.800.872.2583 f 1.888.378.5781

© Copyright Blue Giant Equipment Corporation 2020